

# MOOD

## AIR-DUCTING PELLET STOVE



Meticulous finishes with strong materials and refined monochromatic paints make Mood® an air-ducting pellet stove with a modern design, thought to be suitable for every style of home, from a small house to the spacious loft. Thermorossi assures its constant and continuous attention to pursue new paths, ever innovative, improved technical solutions and outstanding design, in order to open up new segments of the market.

Heatable area

**83** m<sup>2</sup>.



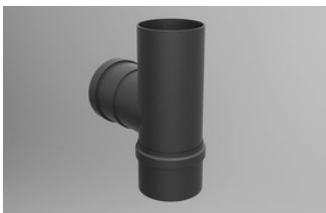


- 1- Central flue outlet, on the rear side or on the top
- 2- Programming control panel, with remote control
- 3- Practical food warming plate in hygienic glass
- 4- Sliding top access to the pellet tank
- 5- Removable door handle. Essential design and added safety
- 6- Cast iron burner
- 7- Modern design given by the feet in high quality wood
- 8- The refined raised base facilitates the cleaning operations

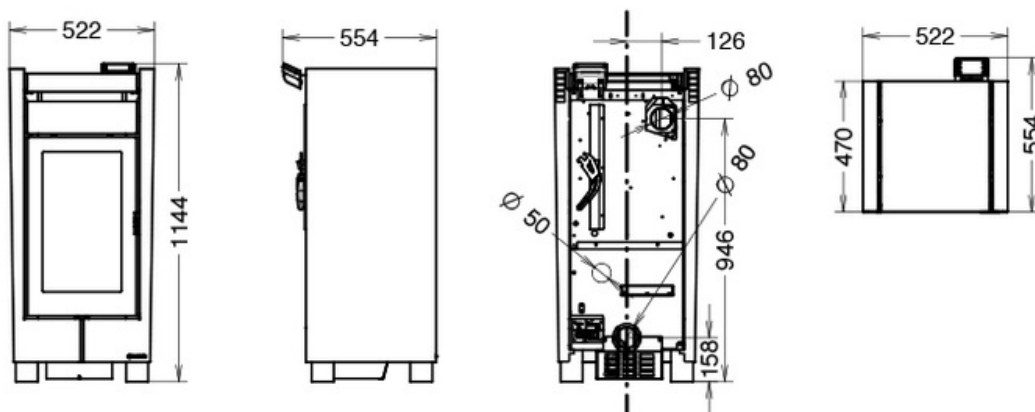


## OPTIONAL ACCESSORIES

---



## DIMENSIONS



## TECHNICAL DATA

DIMENSIONS (HXWXD)	1143X521X554
WEIGHT (KG)	105
HEATABLE AREA (M <sup>2</sup> )*A*C	83
EFFICIENCY UP TO MAX (%)*A	90,2%
ENERGY CLASS	A+
POWER TO THE HEART (KW)*A	3 - 10,2
RATED POWER (KW)*A	2,5 - 9,2
POWER TO THE WATER (KW)*A	-
RADIATION (KW)*A	3 - 10,2
HOURLY PELLET CONSUMPTION (KG/H)*A	0,7 - 2,3
WOOD HOURLY CONSUMPTION (KG/H)*A	-
PELLET HOPPER CAPACITY (KG)*A	16,0
WARM AIR DUCTING	SI
MAXIMUM SINGLE DUCTING OUTLET (M)	15,00
PATENTED BURNER PELLETPOWER®	-
ROOM VENTILATION	SI
PRIMARY AIR FROM OUTSIDE	SI
CO EMISSIONS (MG/M <sup>3</sup> ; 13% OF O <sub>2</sub> )*A	188
CO EMISSIONS (MG/M <sup>3</sup> ; 10% OF O <sub>2</sub> )*A	-
DUST EMISSIONS (MG/M <sup>3</sup> ; 13% OF O <sub>2</sub> )*A	15
DUST EMISSIONS (MG/M <sup>3</sup> ; 10% OF O <sub>2</sub> )*A	-
SILENCE (DB)	36
REMOTE CONTROL	SI
RADIO CONTROL WITH ROOM TEMPERATURE THERMOSTAT	-
WEEKLY PROGRAMMER (3 DAILY LIGHTING)	SI
«SMART INFO» FUNCTION	SI
SYSTEM CIRCULATING PUMP	-
EXPANSION TANK	-
OVER PRESSURE VALVE	SI
FLUE GASEXHAUST DIAMETER (MM)	80
MIN. FLUE DRAUGHT PRESSURE (PA)	10
ELECTRIC CONSUMPTION (WATT)	70-270
HIGH TEMPERATURE SAFETY THERMOSTAT	SI

\*A EMISSIONS AND PERFORMANCE DATA MAY CHANGE ACCORDING TO THE FUEL USED. THE VALUES OF PELLET PRODUCTS HAVE BEEN OBTAINED BY USING CERTIFIED FUEL ACCORDING TO EN 14961-2 A1-A2 NORM. WOOD LOGS PRODUCTS VALUES MAY VARY ACCORDING TO THE TYPE AND QUALITY OF THE WOOD LOGS USED.

\*B PROVISIONAL DATA UNDER CERTIFICATION

\*C IMPORTANT: WHEN CALCULATING THE VOLUME OF THE "HEATED AREA" SOME RELEVANT ASPECTS MUST BE CONSIDERED: INSULATION OF THE BUILDING (ENERGY CLASS), POSITION OF THE HEATER, CLIMATIC AREA AND MORE ASPECTS THAT CAN AFFECT THE VALUES OF PERFORMANCE. REPORTED DATA HAVE BEEN CALCULATED ON THE BASE OF ROOF NOT HIGHER THAN 3 MTS.

THE MANUFACTURER RESERVES THE RIGHT TO MAKE CHANGES WITHOUT PREVIOUS NOTICE.

---

THERMOROSI S.p.A.

Via Grumolo, 4 | 36011 Arsiero (VI) | Italy | E-mail: [info@thermorossi.it](mailto:info@thermorossi.it)

Tel: 800.44.88.77 | Fax: 0445 741657 | P.IVA 00168470243 | Iscr. REA99797 Vicenza | Cap. Sociale di 156,000,00 l.v.