

MARGHERITA

WOOD COOKERS

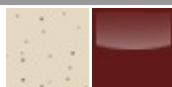


Free your imagination in the kitchen thanks to the ingenious «PANEPIZZA» patented device. A single large door encloses two independent ovens: manage as much heat as you want, the upper oven is able to exploit higher temperatures thanks to a dedicated smoke path. Both ovens have a soapstone base and a dedicated thermometer. Water, baking powder and flour and a little magic happens in the house. Three seemingly very simple ingredients able to create something incredibly special and fragrant, which unites the whole family.



Heatable area

91 m².



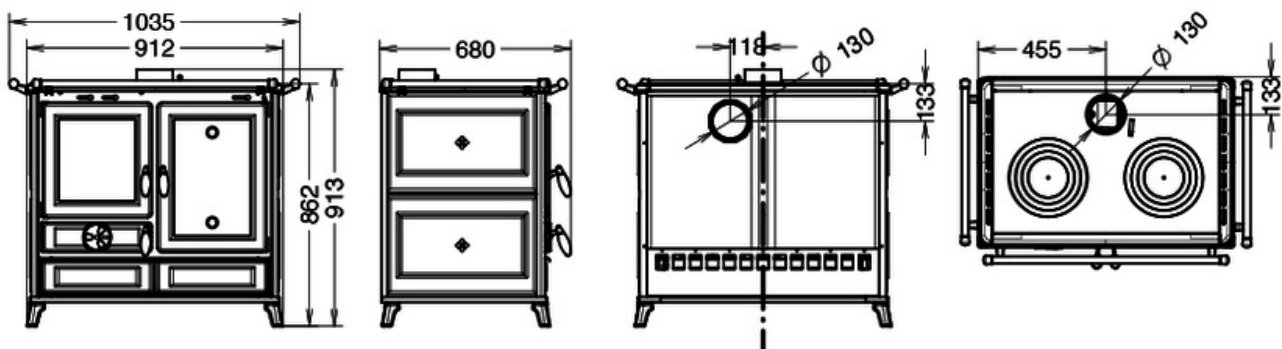


- 1 - Smoke outlet \varnothing 130mm
- 2 - Smoothed cast iron cooking plate together with cast iron rings
- 3 - Cast iron frame
- 4 - «PANEPIZZA» technology: patented devices to control the temperature of two oven
- 5 - Secondary air modulation devices
- 6 - Cast iron firebox door
- 7 - Cast iron firebox (HxWxD - 296x305x453)
- 8 - Loading opening (WxH - 284x273)
- 9 - Upper enamelled oven with lava stone base (HxWxD - 100x323x433)
- 10 - Lower enamelled oven in lava stone with dripping-pan (HxWxD 252x323x433)
- 11 - Primary air modulation devices
- 12 - Tools compartment

Flue outlet options: top - rear



DIMENSIONS



TECHNICAL DATA

DIMENSIONS (HXWxD)	863X910X678
WEIGHT (KG)	222
HEATABLE AREA (M ²)*A*C	91
EFFICIENCY UP TO MAX (%)*A	84,8%
ENERGY CLASS	A+
POWER TO THE HEART (KW)*A	11,9

RATED POWER (KW)*A	10,1
POWER TO THE WATER (KW)*A	-
RADIATION (KW)*A	10,1
HOURLY PELLET CONSUMPTION (KG/H)*A	-
WOOD HOURLY CONSUMPTION (KG/H)*A	3,7
PELLET HOPPER CAPACITY (KG)*A	-
WARM AIR DUCTING	-
MAXIMUM SINGLE DUCTING OUTLET (M)	-
PATENTED BURNER PELLETPOWER®	-
ROOM VENTILATION	-
PRIMARY AIR FROM OUTSIDE	-
CO EMISSIONS (MG/M ³ ; 13% OF O ₂)*A	1.060
CO EMISSIONS (MG/M ³ ; 10% OF O ₂)*A	-
DUST EMISSIONS (MG/M ³ ; 13% OF O ₂)*A	-
DUST EMISSIONS (MG/M ³ ; 10% OF O ₂)*A	-
SILENCE (DB)	-
REMOTE CONTROL	-
RADIO CONTROL WITH ROOM TEMPERATURE THERMOSTAT	-
WEEKLY PROGRAMMER (3 DAILY LIGHTING)	-
«SMART INFO» FUNCTION	-
SYSTEM CIRCULATING PUMP	-
EXPANSION TANK	-
OVER PRESSURE VALVE	-
FLUE GASEXHAUST DIAMETER (MM)	130
MIN. FLUE DRAUGHT PRESSURE (PA)	12
ELECTRIC CONSUMPTION (WATT)	-
HIGH TEMPERATURE SAFETY THERMOSTAT	-

*A EMISSIONS AND PERFORMANCE DATA MAY CHANGE ACCORDING TO THE FUEL USED. THE VALUES OF PELLET PRODUCTS HAVE BEEN OBTAINED BY USING CERTIFIED FUEL ACCORDING TO EN 14961-2 A1-A2 NORM. WOOD LOGS PRODUCTS VALUES MAY VARY ACCORDING TO THE TYPE AND QUALITY OF THE WOOD LOGS USED.

*B PROVISIONAL DATA UNDER CERTIFICATION

*C IMPORTANT: WHEN CALCULATING THE VOLUME OF THE "HEATED AREA" SOME RELEVANT ASPECTS MUST BE CONSIDERED: INSULATION OF THE BUILDING (ENERGY CLASS), POSITION OF THE HEATER, CLIMATIC AREA AND MORE ASPECTS THAT CAN AFFECT THE VALUES OF PERFORMANCE. REPORTED DATA HAVE BEEN CALCULATED ON THE BASE OF ROOF NOT HIGHER THAN 3 MTS.

THE MANUFACTURER RESERVES THE RIGHT TO MAKE CHANGES WITHOUT PREVIOUS NOTICE.

