

KLARETTA

WOOD COOKERS



The cast iron worked in its highest expression takes on a linear and minimalist shape. Its essential and rational style gives the kitchen a strong and unique personality.

Heatable area

72 m².



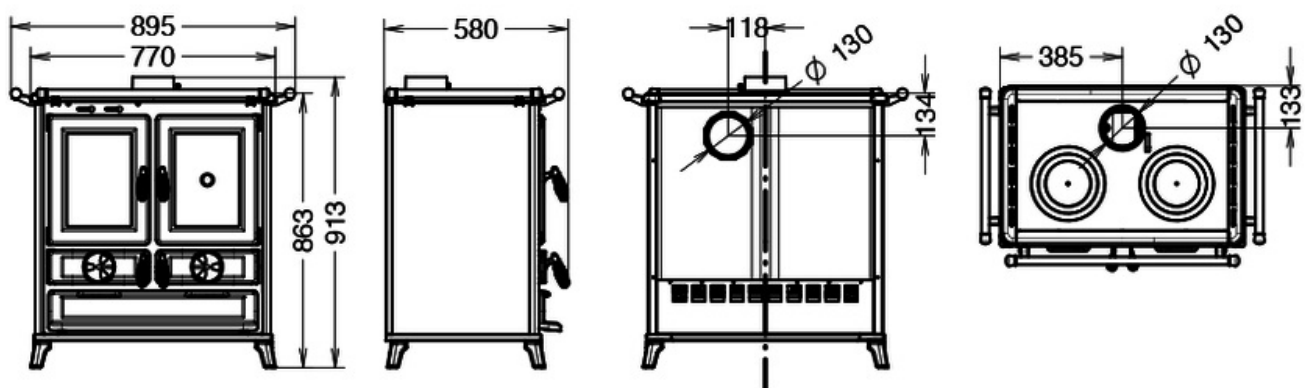


- 1 - Smoke outlet Ø 130mm
- 2 - Smoothed cast iron cooking plate together with cast iron rings
- 3 - Starter
- 4 - Lateral handrail (optional)
- 5 - Cast iron frame
- 6 - Secondary air modulation devices
- 7 - Cast iron firebox door
- 8 - Cast iron firebox (HxWxD - 296x235x353)
- 9 - Loading opening (WxH - 214x273)
- 10 - Ergonomic door handle
- 11 - Enamelled oven (HxWxD - 307x253x333)
- 12 - Primary air modulation devices
- 13 - Food warmer
- 14 - Tools compartment
- 15 - Cast iron ash collecting base
- 16 - The refined raised base facilitates the cleaning operations

Flue outlet options: top - rear



DIMENSIONS



TECHNICAL DATA

DIMENSIONS (HXWXD)	863X770X576
WEIGHT (KG)	166
HEATABLE AREA (M ²)*A*C	72
EFFICIENCY UP TO MAX (%)*A	84,7%

ENERGY CLASS	A+
POWER TO THE HEART (KW)*A	9,4
RATED POWER (KW)*A	8,0
POWER TO THE WATER (KW)*A	-
RADIATION (KW)*A	8,0
HOURLY PELLET CONSUMPTION (KG/H)*A	-
WOOD HOURLY CONSUMPTION (KG/H)*A	2,2
PELLET HOPPER CAPACITY (KG)*A	
WARM AIR DUCTING	-
MAXIMUM SINGLE DUCTING OUTLET (M)	-
PATENTED BURNER PELLETPOWER®	
ROOM VENTILATION	-
PRIMARY AIR FROM OUTSIDE	-
CO EMISSIONS (MG/M ³ ; 13% OF O ₂)*A	1.137
CO EMISSIONS (MG/M ³ ; 10% OF O ₂)*A	
DUST EMISSIONS (MG/M ³ ; 13% OF O ₂)*A	-
DUST EMISSIONS (MG/M ³ ; 10% OF O ₂)*A	
SILENCE (DB)	-
REMOTE CONTROL	-
RADIO CONTROL WITH ROOM TEMPERATURE THERMOSTAT	-
WEEKLY PROGRAMMER (3 DAILY LIGHTING)	-
«SMART INFO» FUNCTION	-
SYSTEM CIRCULATING PUMP	-
EXPANSION TANK	-
OVER PRESSURE VALVE	-
FLUE GASEXHAUST DIAMETER (MM)	130
MIN. FLUE DRAUGHT PRESSURE (PA)	12
ELECTRIC CONSUMPTION (WATT)	-
HIGH TEMPERATURE SAFETY THERMOSTAT	-

*A EMISSIONS AND PERFORMANCE DATA MAY CHANGE ACCORDING TO THE FUEL USED. THE VALUES OF PELLET PRODUCTS HAVE BEEN OBTAINED BY USING CERTIFIED FUEL ACCORDING TO EN 14961-2 A1-A2 NORM. WOOD LOGS PRODUCTS VALUES MAY VARY ACCORDING TO THE TYPE AND QUALITY OF THE WOOD LOGS USED.

*B PROVISIONAL DATA UNDER CERTIFICATION

*C IMPORTANT: WHEN CALCULATING THE VOLUME OF THE "HEATED AREA" SOME RELEVANT ASPECTS MUST BE CONSIDERED: INSULATION OF THE BUILDING (ENERGY CLASS), POSITION OF THE HEATER, CLIMATIC AREA AND MORE ASPECTS THAT CAN AFFECT THE VALUES OF PERFORMANCE. REPORTED DATA HAVE BEEN CALCULATED ON THE BASE OF ROOF NOT HIGHER THAN 3 MTS.

THE MANUFACTURER RESERVES THE RIGHT TO MAKE CHANGES WITHOUT PREVIOUS NOTICE.

THERMOROSI S.p.A.

Via Grumolo, 4 | 36011 Arsiero (VI) | Italy | E-mail: info@thermorossi.it

Tel: 800.44.88.77 | Fax: 0445 741657 | P.IVA 00168470243 | Iscr. REA99797 Vicenza | Cap. Sociale di 156,000,00 I.v.