

# POP 6

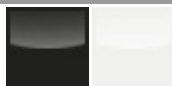
PELLET STOVE



Are you a music lover dreaming of a glamorous look? Here's to you Pop: the pellet stove in just 46 cm in diameter. Let it conquer you with its personality and precious details that make it irresistibly attractive. Perfect for any corner placement, thanks to the central smoke outlet in line with the stove. Cast iron top and sides in steel.

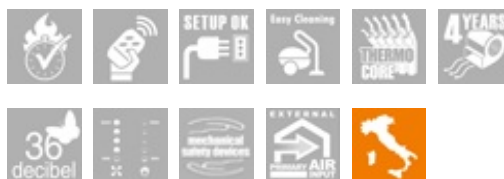
Heatable area

52 m<sup>2</sup>.





- 1 - Programming control panel, with remote control
- 2 - Top in ghisia
- 3 - Thermocore® pipe heat exchanger
- 4 - Precious glass door
- 5 - Removable door handle. Essential design and high safety
- 6 - Cast iron burner
- 7 - Modern design given by the feet in high quality wood
- 8 - The refined raised base facilities the cleaning operations

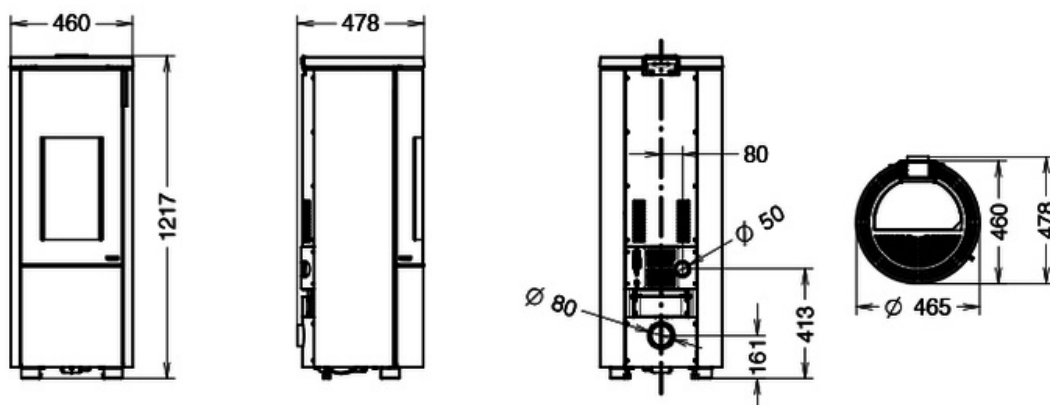


## OPTIONAL ACCESSORIES

---



## DIMENSIONS



## TECHNICAL DATA

DIMENSIONS (HXWXD)	1217X460X478
WEIGHT (KG)	117
HEATABLE AREA (M <sup>2</sup> )*A*C	52
EFFICIENCY UP TO MAX (%)*A	95,0%
ENERGY CLASS	A+
POWER TO THE HEART (KW)*A	2,5 - 6,2
RATED POWER (KW)*A	2,4 - 5,7
POWER TO THE WATER (KW)*A	-
RADIATION (KW)*A	-
HOURLY PELLET CONSUMPTION (KG/H)*A	0,5 - 1,3
WOOD HOURLY CONSUMPTION (KG/H)*A	-
PELLET HOPPER CAPACITY (KG)*A	17,0
WARM AIR DUCTING	-
MAXIMUM SINGLE DUCTING OUTLET (M)	-
PATENTED BURNER PELLETPOWER®	-
ROOM VENTILATION	SI
PRIMARY AIR FROM OUTSIDE	SI
CO EMISSIONS (MG/M <sup>3</sup> ; 13% OF O <sub>2</sub> )*A	107
CO EMISSIONS (MG/M <sup>3</sup> ; 10% OF O <sub>2</sub> )*A	-
DUST EMISSIONS (MG/M <sup>3</sup> ; 13% OF O <sub>2</sub> )*A	17,8
DUST EMISSIONS (MG/M <sup>3</sup> ; 10% OF O <sub>2</sub> )*A	-
SILENCE (DB)	36
REMOTE CONTROL	SI
RADIO CONTROL WITH ROOM TEMPERATURE THERMOSTAT	OPT
WEEKLY PROGRAMMER (3 DAILY LIGHTING)	SI
«SMART INFO» FUNCTION	SI
SYSTEM CIRCULATING PUMP	-
EXPANSION TANK	-
OVER PRESSURE VALVE	SI
FLUE GASEXHAUST DIAMETER (MM)	80
MIN. FLUE DRAUGHT PRESSURE (PA)	10
ELECTRIC CONSUMPTION (WATT)	88-350
HIGH TEMPERATURE SAFETY THERMOSTAT	SI

\*A EMISSIONS AND PERFORMANCE DATA MAY CHANGE ACCORDING TO THE FUEL USED. THE VALUES OF PELLET PRODUCTS HAVE BEEN OBTAINED BY USING CERTIFIED FUEL ACCORDING TO EN 14961-2 A1-A2 NORM. WOOD LOGS PRODUCTS VALUES MAY VARY ACCORDING TO THE TYPE AND QUALITY OF THE WOOD LOGS USED.

\*B PROVISIONAL DATA UNDER CERTIFICATION

\*C IMPORTANT: WHEN CALCULATING THE VOLUME OF THE "HEATED AREA" SOME RELEVANT ASPECTS MUST BE CONSIDERED: INSULATION OF THE BUILDING (ENERGY CLASS), POSITION OF THE HEATER, CLIMATIC AREA AND MORE ASPECTS THAT CAN AFFECT THE VALUES OF PERFORMANCE. REPORTED DATA HAVE BEEN CALCULATED ON THE BASE OF ROOF NOT HIGHER THAN 3 MTS.

THE MANUFACTURER RESERVES THE RIGHT TO MAKE CHANGES WITHOUT PREVIOUS NOTICE.

---

THERMOROSI S.p.A.

Via Grumolo, 4 | 36011 Arsiero (VI) | Italy | E-mail: [info@thermorossi.it](mailto:info@thermorossi.it)

Tel: 800.44.88.77 | Fax: 0445 741657 | P.IVA 00168470243 | Iscr. REA99797 Vicenza | Cap. Sociale di 156.000,00 l.v.