

# SLIMQUADRO 11 STYLE

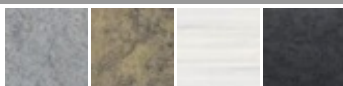
AIR-DUCTING PELLET STOVE



Often imitated but never reached, Slimquadro 11 renews itself and becomes even more beautiful thanks to the new design with concealed top controls, the ideal solution to heat your home in the smallest space.

Heatable area

92 m<sup>2</sup>.

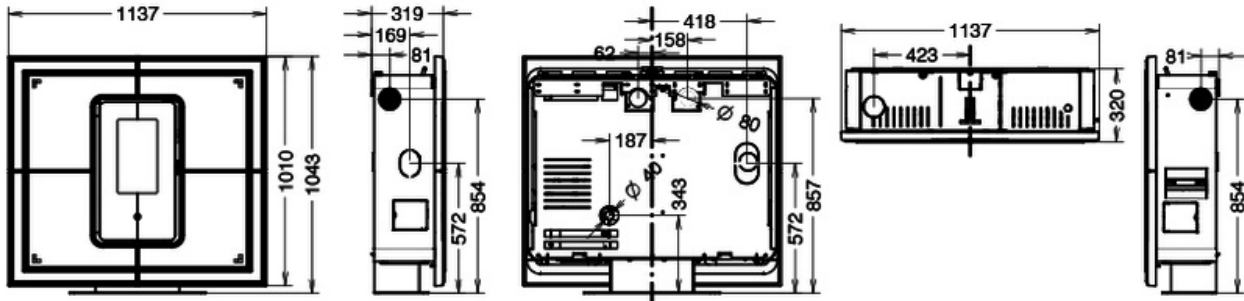




- 1 - Multyway Air System: adjustable air flow (front-rear-left)
- 2 - Porcelain stoneware finish
- 3 - Precious glass and cast iron fireplace door
- 4 - Removable handle.Essentiality in design and greater safety
- 5 - Programmable control screen, with remote control
- 6 - Removable pedestal for wall-hung installation



## DIMENSIONS



## TECHNICAL DATA

DIMENSIONS (HXWXD)	992X1109X319
WEIGHT (KG)	143
HEATABLE AREA (M <sup>2</sup> )*A	96
EFFICIENCY UP TO MAX (%) *A	93,0%
ENERGY CLASS	A+
POWER TO THE HEART (KW)*A	3,1 - 11,9
RATED POWER (KW)*A	2,8 - 10,7
POWER TO THE WATER (KW)*A	-
RADIATION (KW)*A	-
HOURLY PELLET CONSUMPTION (KG/H)*A	0,7 - 2,8
WOOD HOURLY CONSUMPTION (KG/H)V*A	-

PELLET HOPPER CAPACITY (KG)*A	18,00
WARM AIR DUCTING	SI
MAXIMUM SINGLE DUCTING OUTLET (M)	16,00
PATENTED BURNER PELLETPOWER®	-
ROMM VENTILATION	SI
PRIMARY AIR FROM OUTSIDE	SI
CO EMISSIONS (MG/M³; 13% DI O2)*A	171
CO EMISSIONS (MG/M³; 10% DI O2)*A	-
DUST EMISSIONS (MG/M³; 13% DI O2)*A	17,4
DUST EMISSIONS (MG/M³; 10% DI O2)*A	-
SILENCE(DB)	36,00
REMOTE CONTROL	SI
RADIO CONTROL WITH ROOM TEMPERATURE THERMOSTAT	OPT
WEEKLY PROGRAMMER (3 DAILY LIGHTING)	SI
SMART INFO FUNCTION	SI
SYSTEM CIRCULATING PUMP	-
EXPANSION TANK	-
OVER PRESSURE VALVE	SI
FLUE GASEXHAUST DIAMETER (MM)	80
MIN. FLUE DRAUGHT PRESSURE (PA)	10
ELECTRIC CONSUMPTION (WATT)	70-270
HIGH TEMPERATURE SAFETY THERMOSTAT	SI

THERMOROSSI S.p.A.

Via Grumolo, 4 | 36011 Arsiero (VI) | Italy | E-mail: [info@thermorossi.it](mailto:info@thermorossi.it)

Tel: 800.44.88.77 | Fax: 0445 741657 | P.IVA 00168470243 | Iscr. REA99797 Vicenza | Cap. Sociale di 156,000,00 l.v.