

MOMA NATURAL AIR

PELLET STOVE



Characterized by a minimalist and sober style, its functional and essential details made with resistant materials such as steel and cast iron, give charm and strength.

Heatable area

108 m².

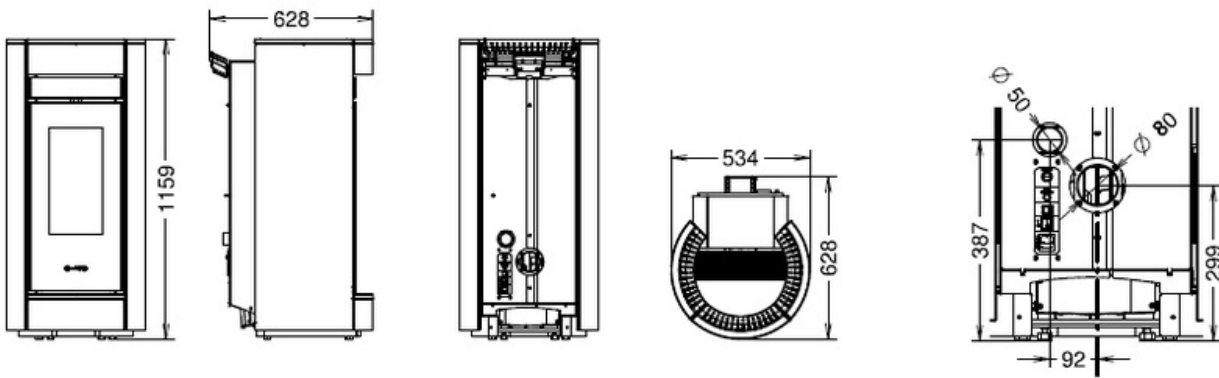




- 1 - Programmable control screen, with remote control
- 2 - Cast iron top
- 3 - Sliding access for pellet loading
- 4 - Screen-printed ceramic glass and cast iron firebox door
- 5 - Ash saving floor



DIMENSIONS



TECHNICAL DATA

DIMENSIONS (HXWXD)	1159X534X628
WEIGHT (KG)	152.5
HEATABLE AREA (M²)	70
EFFICIENCY UP TO MAX (%)	97,4%
ENERGY CLASS	A+
POWER TO THE HEART (KW)	3,2 - 8,4
RATED POWER (KW)	3,1 - 7,8
POWER TO THE WATER (KW)	-
RADIATION (KW)	-
HOURLY PELLET CONSUMPTION (KG/H)	0,7 - 1,7

WOOD HOURLY CONSUMPTION (KG/H)V	-
PELLET HOPPER CAPACITY (KG)	20,00
WARM AIR DUCTING	-
MAXIMUM SINGLE DUCTING OUTLET (M)	-
PATENTED BURNER PELLETPOWER®	SI
ROMM VENTILATION	SI
PRIMARY AIR FROM OUTSIDE	SI
CO EMISSIONS (MG/M³; 13% DI O2)	49
CO EMISSIONS (MG/M³; 10% DI O2)	-
DUST EMISSIONS (MG/M³; 13% DI O2)	11,7
DUST EMISSIONS (MG/M³; 10% DI O2)	-
SILENCE(DB)	36,00
REMOTE CONTROL	SI
RADIO CONTROL WITH ROOM TEMPERATURE THERMOSTAT	-
WEEKLY PROGRAMMER (3 DAILY LIGHTING)	SI
SMART INFO FUNCTION	SI
SYSTEM CIRCULATING PUMP	-
EXPANSION TANK	-
OVER PRESSURE VALVE	SI
FLUE GASEXHAUST DIAMETER (MM)	80
MIN. FLUE DRAUGHT PRESSURE (PA)	12
ELECTRIC CONSUMPTION (WATT)	60-300
HIGH TEMPERATURE SAFETY THERMOSTAT	SI

—————

THERMOROSSI S.p.A.

Via Grumolo, 4 | 36011 Arsiero (VI) | Italy | E-mail: info@thermorossi.it

Tel: 800.44.88.77 | Fax: 0445 741657 | P.IVA 00168470243 | Iscr. REA99797 Vicenza | Cap. Sociale di 156,000,00 I.v.