

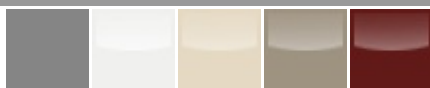
DORICA METALCOLOR NATURAL AIR PELLET STOVE



Pellet stove with flowing and joined lines, it is surprising at first sight for its elegant architecture inspired by the classics. Equipped with the motorised fan technology PELLETPOWER® (Idra model) heat exchanger THERMOCORE® and simplified cleaning system EASY CLEANING. Available in versions, Silent, Air, Plus and Idra.

Heatable area

96 m².





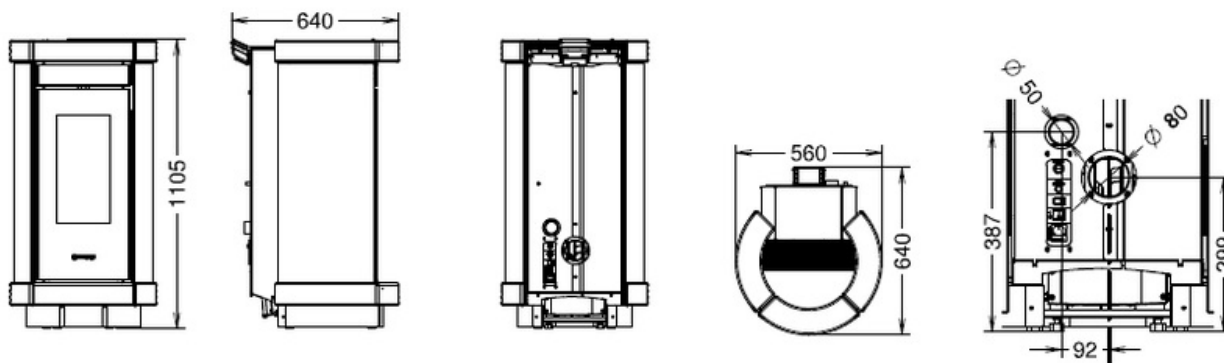
- 1 - Programmable control screen with remote control
- 2 - Precious handmade majolica tiles
- 3 - Access for pellet loading
- 4 - Firebox door in screen-printed ceramic glass
- 5 - Patented Pelletpower burner
- 6 - Protective ash pan



OPTIONAL ACCESSORIES



DIMENSIONS



TECHNICAL DATA

DIMENSIONS (HXWXD)	1105X560X640
WEIGHT (KG)	123.1
HEATABLE AREA (M ²)	70
EFFICIENCY UP TO MAX (%)	97,4%
ENERGY CLASS	A+
POWER TO THE HEART (KW)	3,2 - 8,4
RATED POWER (KW)	3,1 - 7,8
POWER TO THE WATER (KW)	-
RADIATION (KW)	-
HOURLY PELLET CONSUMPTION (KG/H)	0,7 - 1,7
WOOD HOURLY CONSUMPTION (KG/H)V	-
PELLET HOPPER CAPACITY (KG)	20,00
WARM AIR DUCTING	-
MAXIMUM SINGLE DUCTING OUTLET (M)	-
PATENTED BURNER PELLETPOWER®	SI
ROMM VENTILATION	SI
PRIMARY AIR FROM OUTSIDE	SI
CO EMISSIONS (MG/M ³ ; 13% DI O ₂)	49
CO EMISSIONS (MG/M ³ ; 10% DI O ₂)	-
DUST EMISSIONS (MG/M ³ ; 13% DI O ₂)	11,7
DUST EMISSIONS (MG/M ³ ; 10% DI O ₂)	-
SILENCE(DB)	36,00
REMOTE CONTROL	SI
RADIO CONTROL WITH ROOM TEMPERATURE THERMOSTAT	-
WEEKLY PROGRAMMER (3 DAILY LIGHTING)	SI
SMART INFO FUNCTION	SI
SYSTEM CIRCULATING PUMP	-
EXPANSION TANK	-
OVER PRESSURE VALVE	SI
FLUE GASEXHAUST DIAMETER (MM)	80

MIN. FLUE DRAUGHT PRESSURE (PA)	12
ELECTRIC CONSUMPTION (WATT)	60-300
HIGH TEMPERATURE SAFETY THERMOSTAT	SI

THERMOROSSI S.p.A.

Via Grumolo, 4 | 36011 Arsiero (VI) | Italy | E-mail: info@thermorossi.it

Tel: 800.44.88.77 | Fax: 0445 741657 | P.IVA 00168470243 | Iscr. REA99797 Vicenza | Cap. Sociale di 156,000,00 I.v.