

# CHIC IDRA 18

PELLET THERMOSTOVE



Chic, the pellet stove with a refined and timeless style, to make your home a romantic and elegant place.

Heatable area

146 m<sup>2</sup>.

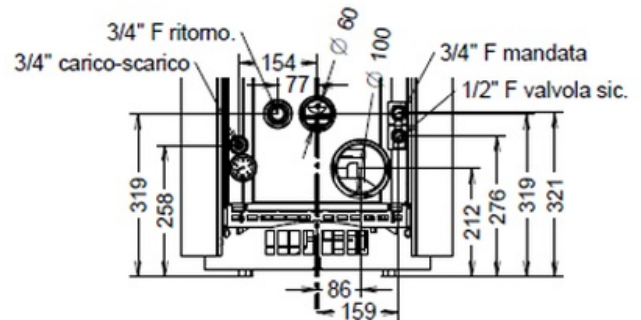
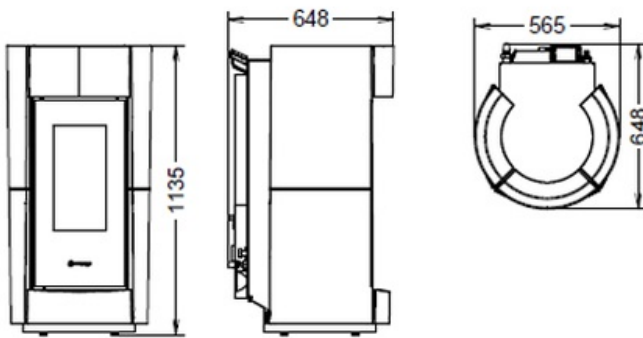




- 1 - Programmable, with remote control
- 2 - Sliding access for pellet loading
- 3 - Precious handmade handmade majolica
- 4 - Screen-printed ceramic glass and cast iron firebox door



## DIMENSIONS



## TECHNICAL DATA

DIMENSIONS (HXWXD)	1135X565X648
WEIGHT (KG)	179,90
HEATABLE AREA (M <sup>2</sup> )	160
EFFICIENCY UP TO MAX (%)	96,7%
ENERGY CLASS	A+
POWER TO THE HEART (KW)	5,4 - 18,6
RATED POWER (KW)	5,3 - 17,8
POWER TO THE WATER (KW)	3,7 - 13,8
RADIATION (KW)	1,7 - 4
HOURLY PELLETT CONSUMPTION (KG/H)	1,1 - 3,8
WOOD HOURLY CONSUMPTION (KG/H)V	-
PELLET HOPPER CAPACITY (KG)	19,00

WARM AIR DUCTING	-
MAXIMUM SINGLE DUCTING OUTLET (M)	-
PATENTED BURNER PELLETPOWER®	SI
ROMM VENTILATION	-
PRIMARY AIR FROM OUTSIDE	SI
CO EMISSIONS (MG/M <sup>3</sup> ; 13% DI O <sub>2</sub> )	52
CO EMISSIONS (MG/M <sup>3</sup> ; 10% DI O <sub>2</sub> )	-
DUST EMISSIONS (MG/M <sup>3</sup> ; 13% DI O <sub>2</sub> )	9,3
DUST EMISSIONS (MG/M <sup>3</sup> ; 10% DI O <sub>2</sub> )	-
SILENCE(DB)	36,00
REMOTE CONTROL	-
RADIO CONTROL WITH ROOM TEMPERATURE THERMOSTAT	-
WEEKLY PROGRAMMER (3 DAILY LIGHTING)	SI
SMART INFO FUNCTION	SI
SYSTEM CIRCULATING PUMP	SI
EXPANSION TANK	SI
OVER PRESSURE VALVE	SI
FLUE GASEXHAUST DIAMETER (MM)	80
MIN. FLUE DRAUGHT PRESSURE (PA)	10
ELECTRIC CONSUMPTION (WATT)	90-340
HIGH TEMPERATURE SAFETY THERMOSTAT	SI

THERMOROSSI S.p.A.

Via Grumolo, 4 | 36011 Arsiero (VI) | Italy | E-mail: [info@thermorossi.it](mailto:info@thermorossi.it)

Tel: 800.44.88.77 | Fax: 0445 741657 | P.IVA 00168470243 | Iscr. REA99797 Vicenza | Cap. Sociale di 156,000,00 I.v.