

SAINT MORITZ SUPREME NATURAL PLUS

AIR-DUCTING PELLET STOVE



Refined elegance in a romantic style, for all those who love to surround themselves with precious furnishings. Saint Moritz Supreme is the ultimate expression of attention to detail, from precious handmade majolica to the practical food warmer. If you would like a ducted hot air supply into several rooms, Saint Moritz Supreme provides an ideal solution. It is possible to warm different spaces quickly and easily via an intuitive control system designed to distribute hot air into the ducting system. The twin air ducting system is designed to provide independent outlets which are both able to share air the flow with maximum flexibility. Equipped with simplified cleaning system EASY CLEANING.



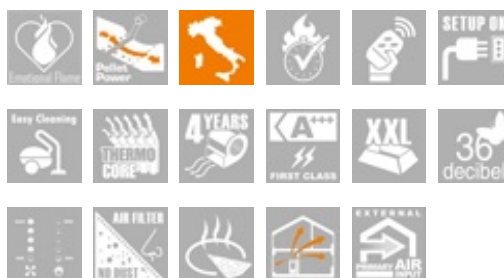
Heatable area

96 m².





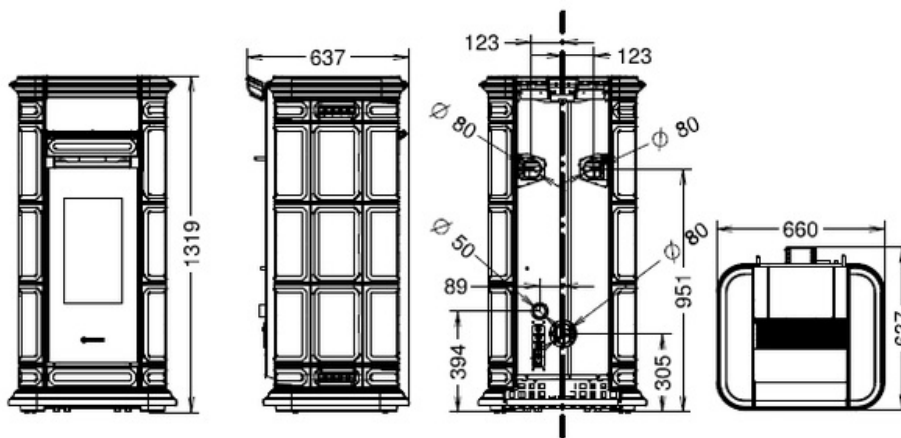
- 1 - Programming control panel, with remote control
- 2 - Glass top plate with food warming function
- 3 - Precious majolica handmade by master craftsmen
- 4 - Sliding top access to the pellet tank
- 5 - Separately adjustable air ducting controls
- 6 - Practical food warming plate in majolica W x D (mm) 360x260
- 7 - Cast iron and glass inlaid firebox door



OPTIONAL ACCESSORIES



DIMENSIONS



TECHNICAL DATA

DIMENSIONS (HXWXD)	1319X660X637
WEIGHT (KG)	231.8
HEATABLE AREA (M ²)	96
EFFICIENCY UP TO MAX (%)	97,4%
ENERGY CLASS	A+
POWER TO THE HEART (KW)	3,2 - 12
RATED POWER (KW)	3,1 - 10,7
POWER TO THE WATER (KW)	-
RADIATION (KW)	-
HOURLY PELLET CONSUMPTION (KG/H)	0,7 - 2,5
WOOD HOURLY CONSUMPTION (KG/H)V	-
PELLET HOPPER CAPACITY (KG)	25,00
WARM AIR DUCTING	SI
MAXIMUM SINGLE DUCTING OUTLET (M)	16,00
PATENTED BURNER PELLETPOWER®	SI
ROMM VENTILATION	SI
PRIMARY AIR FROM OUTSIDE	SI
CO EMISSIONS (MG/M ³ ; 13% DI O ₂)	28
CO EMISSIONS (MG/M ³ ; 10% DI O ₂)	-
DUST EMISSIONS (MG/M ³ ; 13% DI O ₂)	12,0
DUST EMISSIONS (MG/M ³ ; 10% DI O ₂)	-
SILENCE(DB)	36,00
REMOTE CONTROL	SI
RADIO CONTROL WITH ROOM TEMPERATURE THERMOSTAT	-
WEEKLY PROGRAMMER (3 DAILY LIGHTING)	SI
SMART INFO FUNCTION	SI
SYSTEM CIRCULATING PUMP	-
EXPANSION TANK	-
OVER PRESSURE VALVE	SI
FLUE GASEXHAUST DIAMETER (MM)	80

MIN. FLUE DRAUGHT PRESSURE (PA)	12
ELECTRIC CONSUMPTION (WATT)	60-300
HIGH TEMPERATURE SAFETY THERMOSTAT	SI

THERMOROSSI S.p.A.

Via Grumolo, 4 | 36011 Arsiero (VI) | Italy | E-mail: info@thermorossi.it

Tel: 800.44.88.77 | Fax: 0445 741657 | P.IVA 00168470243 | Iscr. REA99797 Vicenza | Cap. Sociale di 156,000,00 I.v.