

# BOSKY 30 SQUARE

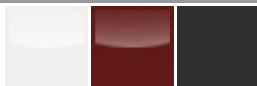
## CENTRAL HEATING COOKERS



After having heated the homes of thousands of devoted customers BOSKY's appearance has been restyled while maintaining its renowned reliability and quality. The precious majolica covering of the Bosky central heating cooker hides a technological and advanced system.

Heatable area

193 m<sup>2</sup>.

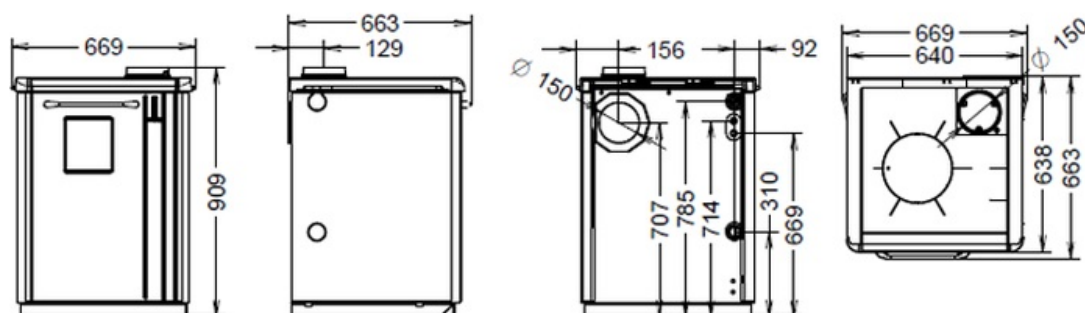




- 1 - «Smoke by-pass» technology
- 2 - Brushed steel cooking plate. Optional: cast iron rings and vitrified cooking plate
- 3 - Foldaway drying rack
- 4 - Combustion chamber (HxLxD- 540x300x442)



## DIMENSIONS



## TECHNICAL DATA

DIMENSIONS (HXWXD)	368X750X717
WEIGHT (KG)	230
HEATABLE AREA (M <sup>2</sup> )*A*C	193
EFFICIENCY UP TO MAX (%)*A	70,1%
ENERGY CLASS	A
POWER TO THE HEART (KW)*A	30,5
RATED POWER (KW)*A	21,4
POWER TO THE WATER (KW)*A	19
RADIATION (KW)*A	2,3
HOURLY PELLET CONSUMPTION (KG/H)*A	-
WOOD HOURLY CONSUMPTION (KG/H)*A	7,4
PELLET HOPPER CAPACITY (KG)*A	

WARM AIR DUCTING	-
MAXIMUM SINGLE DUCTING OUTLET (M)	-
PATENTED BURNER PELLETPOWER®	-
ROOM VENTILATION	-
PRIMARY AIR FROM OUTSIDE	-
CO EMISSIONS (MG/M³; 13% OF O2)*A	5.788,0
CO EMISSIONS (MG/M³; 10% OF O2)*A	-
DUST EMISSIONS (MG/M³; 13% OF O2)*A	-
DUST EMISSIONS (MG/M³; 10% OF O2)*A	-
SILENCE (DB)	-
REMOTE CONTROL	-
RADIO CONTROL WITH ROOM TEMPERATURE THERMOSTAT	-
WEEKLY PROGRAMMER (3 DAILY LIGHTING)	-
«SMART INFO» FUNCTION	-
SYSTEM CIRCULATING PUMP	-
EXPANSION TANK	-
OVER PRESSURE VALVE	-
FLUE GASEXHAUST DIAMETER (MM)	150
MIN. FLUE DRAUGHT PRESSURE (PA)	13
ELECTRIC CONSUMPTION (WATT)	-
HIGH TEMPERATURE SAFETY THERMOSTAT	-

THERMOROSSI S.p.A.

Via Grumolo, 4 | 36011 Arsiero (VI) | Italy | E-mail: [info@thermorossi.it](mailto:info@thermorossi.it)

Tel: 800.44.88.77 | Fax: 0445 741657 | P.IVA 00168470243 | Iscr. REA99797 Vicenza | Cap. Sociale di 156,000,00 l.v.