

1000 EASY

PELLET STOVE



The anthracite grey colour and the careful finishes allow Easy to be integrated into any environment.

Heatable area

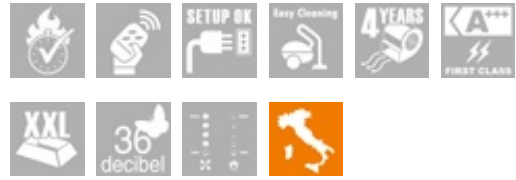
58 m².





- 1- Programming control panel, with remote control
- 2- Cast iron burner
- 3- Cool touch door handle
- 4- Left side space-saving flue outlet (optional)

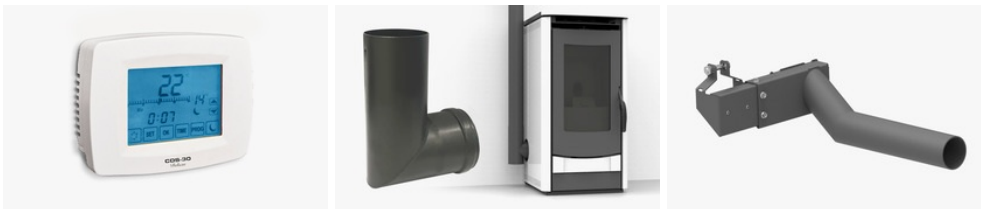
Flue outlet options: rear - left side (optional)



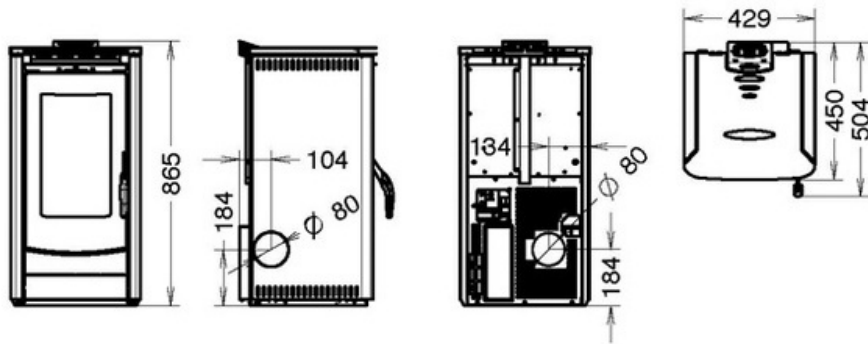
DETAILS



OPTIONAL ACCESSORIES



DIMENSIONS



TECHNICAL DATA

| | |
|---|-------------|
| DIMENSIONS (HXWXD) | 865X429X504 |
| WEIGHT (KG) | 70 |
| HEATABLE AREA (M ²)*A*C | 58 |
| EFFICIENCY UP TO MAX (%)*A | 86,3% |
| ENERGY CLASS | A+ |
| POWER TO THE HEART (KW)*A | 2,9 - 7,5 |
| RATED POWER (KW)*A | 2,5 - 6,4 |
| POWER TO THE WATER (KW)*A | - |
| RADIATION (KW)*A | - |
| HOURLY PELLETT CONSUMPTION (KG/H)*A | 0,6 - 1,5 |
| WOOD HOURLY CONSUMPTION (KG/H)*A | - |
| PELLETT HOPPER CAPACITY (KG)*A | 14,0 |
| WARM AIR DUCTING | - |
| MAXIMUM SINGLE DUCTING OUTLET (M) | - |
| PATENTED BURNER PELLETPOWER® | - |
| ROOM VENTILATION | SI |
| PRIMARY AIR FROM OUTSIDE | OPT |
| CO EMISSIONS (MG/M ³ ; 13% OF O ₂)*A | 94,1 |
| CO EMISSIONS (MG/M ³ ; 10% OF O ₂)*A | - |
| DUST EMISSIONS (MG/M ³ ; 13% OF O ₂)*A | 29,2 |
| DUST EMISSIONS (MG/M ³ ; 10% OF O ₂)*A | - |
| SILENCE (DB) | 36 |
| REMOTE CONTROL | SI |
| RADIO CONTROL WITH ROOM TEMPERATURE THERMOSTAT | - |
| WEEKLY PROGRAMMER (3 DAILY LIGHTING) | SI |
| «SMART INFO» FUNCTION | - |
| SYSTEM CIRCULATING PUMP | - |
| EXPANSION TANK | - |
| OVER PRESSURE VALVE | SI |
| FLUE GASEXHAUST DIAMETER (MM) | 80 |
| MIN. FLUE DRAUGHT PRESSURE (PA) | 12 |
| ELECTRIC CONSUMPTION (WATT) | 66-271 |
| HIGH TEMPERATURE SAFETY THERMOSTAT | SI |

*A EMISSIONS AND PERFORMANCE DATA MAY CHANGE ACCORDING TO THE FUEL USED. THE VALUES OF PELLETT

PRODUCTS HAVE BEEN OBTAINED BY USING CERTIFIED FUEL ACCORDING TO EN 14961-2 A1-A2 NORM. WOOD LOGS PRODUCTS VALUES MAY VARY ACCORDING TO THE TYPE AND QUALITY OF THE WOOD LOGS USED.

*B PROVISIONAL DATA UNDER CERTIFICATION

*C IMPORTANT: WHEN CALCULATING THE VOLUME OF THE "HEATED AREA" SOME RELEVANT ASPECTS MUST BE CONSIDERED: INSULATION OF THE BUILDING (ENERGY CLASS), POSITION OF THE HEATER, CLIMATIC AREA AND MORE ASPECTS THAT CAN AFFECT THE VALUES OF PERFORMANCE. REPORTED DATA HAVE BEEN CALCULATED ON THE BASE OF ROOF NOT HIGHER THAN 3 MTS.

THE MANUFACTURER RESERVES THE RIGHT TO MAKE CHANGES WITHOUT PREVIOUS NOTICE.

THERMOROSI S.p.A.

Via Grumolo, 4 | 36011 Arsiero (VI) | Italy | E-mail: info@thermorossi.it

Tel: 800.44.88.77 | Fax: 0445 741657 | P.IVA 00168470243 | Iscr. REA99797 Vicenza | Cap. Sociale di 156,000,00 I.v.