

THERMOROSSI

BOSKY COUNTRY 30 EVO5 BOSKY COUNTRY F30 EVO5

ITA - MANUALE DI INSTALLAZIONE, USO E MANUTENZIONE.
FRA - MANUEL D'INSTALLATION, D'UTILISATION ET D'ENTRETIEN.
ENG - INSTALLATION, USE AND MAINTENANCE GUIDE.
DEU - INSTALLATIONS-, BETRIEBS- UND WARTUNGSANLEITUNG.
ESP - MANUAL DE INSTALACIÓN, USO Y MANTENIMIENTO.



ITA – Informazioni importanti per la sicurezza ed il corretto funzionamento.
FRA – À lire impérativement! Informations importantes pour la sécurité et le bon fonctionnement.
ENG - Must read! Important information for safety and correct operation.
DEU - Unbedingt lesen! Wichtige Informationen zur Sicherheit und zum sicheren Betrieb.
ESP - ¡Leer! Informaciones importantes para la seguridad y el correcto funcionamiento.

INDEX

1 – INTRODUCTION.....	5
2 – TECHNICAL CHARACTERISTICS.....	7
3 – GENERAL DESCRIPTION	9
4 – INSTALLATION.....	11
5 – PLUMBING SYSTEM CONNECTIONS AND DIAGRAMS	12
6 – ASSEMBLING THE COMPONENTS.....	16
7 – USE OF THE APPLIANCE	19
8 - CLEANING AND MAINTENANCE	23
9 - SMOKE DISCHARGE TUBE.....	25
10 - PROBLEMS, CAUSES AND SOLUTIONS.....	28
11 – WARRANTY TERMS AND CONDITIONS	29

EU Declaration of Conformity (DoC) / Dichiarazione di Conformità UE (DoC)

Company name: Azienda:	THERMOROSSI S.P.A.	Postal address: Indirizzo:	VIA GRUMOLO, N° 4
Postcode and city: Codice postale e città:	36011 ARSIERO (VI)	Telephone number: Numero di telefono:	0445/741310
E-mail address: Indirizzo e-mail:	INFO@THERMOROSSI.IT		

declare that the DoC is issued under our sole responsibility and belongs to the following product:

dichiara che la dichiarazione viene rilasciata sotto la propria responsabilità e si riferisce al seguente prodotto:

Apparatus model / Product: Product description:	WOOD STOVE STUFA A LEGNA	Trademark: Marchio	THERMOROSSI S.P.A.
Models: Modelli:	BOSKY COUNTRY 30 EVO5 – BOSKY COUNTRY F30 EVO5		

The object of the declaration described above is in conformity with the relevant Union harmonisation legislation:

L'oggetto della dichiarazione di cui sopra è conforme alla pertinente normativa di armonizzazione dell'Unione:

- **Direttiva 2014/30/UE, EMCD**
- **Direttiva 2014/35/UE, LVD**
- **Direttiva 2011/65/UE, RoHS**
- **2014/30/EU Directive, EMCD**
- **2014/35/EU Directive, LVD**
- **2011/65/EU Directive, RoHS**

Following harmonising standards and/or technical specifications apply:

The following harmonised standards and/or technical specifications have been applied:

EN 55014-1	EN 60335-1	EN 50581
EN 55014-2	EN 60335-2-102	Commission Regulation (EU) 2015/1185
EN 61000-3-2	EN 62233	
EN 61000-3-3		

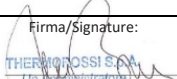
Arsiero, 12/01/2026

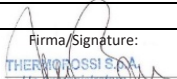
Firma/Sign.


THERMOROSSI S.P.A.
Un amministratore

Installation, use and maintenance guide

BOSKY COUNTRY 30 – F30 EVO5

THERMOROSSI <small>Fire Lovers</small>	DECLARATION OF PERFORMANCE IN ACCORDANCE WITH REGULATION (EU) 305/2011	n°A101
1 - Unique identification code of the product type:		BOSKY COUNTRY 30 EVOS
2 - Model, batch, series (Art. 11, paragraph 4):		BOSKY COUNTRY 30 EVOS
3 - Intended uses of the construction product, in accordance with the applicable harmonised technical specification:		Residential space heating appliance with water fired by wood logs
4 - Name and address of the manufacturer (Art. 11, paragraph 5):		THERMOROSSI S.P.A. Via Grumolo, n° 4 36011 Arsiero (VI) Italy Tel.0445/741310
5 - Name and address of the authorised representative (Article 12, paragraph 2):		-
6 - System of assessment and verification of constancy of performance of the construction product as set out in Annex V:		System 3 and 4
7 - Notified laboratory:		Kiwa Italia S.p.a. N° 0476
Harmonised technical specification:		EN 16510-2-1
Test report number based on System 3:		0476-AoP-CPR-6014282
8 - Declared performance:		
Essential characteristics		Performance
Fire resistance		A1
Minimum safety distances from combustible materials in mm:		
Rear / Side / Front / Ceiling / Floor:		200 / 200 / 2000 / 750 / 100
Fuel spillage risk:		Compliant
Surface temperature:		Compliant
Electrical safety:		Compliant
Accessibility and cleaning:		Compliant
Emissions of combustion products:		
at rated power / at reduced power (mg/m ³ at 13% O ₂):		220 / -
Maximum operating pressure: kPa(Bar)		2.5
Smoke temperature at rated power (°C):		165
Mechanical strength (to support the fire):		Compliant
Rated thermal power (kW):		11.1
Heat output in the environment (kW):		3.2
Heat output transferred to water (kW):		8.0
Efficiency at rated power (%):		89
Efficiency at reduced power (%):		-
9 - The performance of the appliance referred to in points 1 and 2 complies with the performance declared in point 8.		
This declaration of performance is issued under the sole responsibility of the manufacturer as of point 4.		
Arsiero, 12/01/2026		Firma/Signature: 

THERMOROSSI <small>Fire Lovers</small>	DECLARATION OF PERFORMANCE IN ACCORDANCE WITH REGULATION (EU) 305/2011	n°A102
1 - Unique identification code of the product type:		BOSKY COUNTRY F30 EVOS
2 - Model, batch, series (Art. 11, paragraph 4):		BOSKY COUNTRY F30 EVOS
3 - Intended uses of the construction product, in accordance with the applicable harmonised technical specification:		Residential space heating appliance with water fired by wood logs
4 - Name and address of the manufacturer (Art. 11, paragraph 5):		THERMOROSSI S.P.A. Via Grumolo, n° 4 36011 Arsiero (VI) Italy Tel.0445/741310
5 - Name and address of the authorised representative (Article 12, paragraph 2):		-
6 - System of assessment and verification of constancy of performance of the construction product as set out in Annex V:		System 3 and 4
7 - Notified laboratory:		Kiwa Italia S.p.a. N° 0476
Harmonised technical specification:		EN 16510-2-1
Test report number based on System 3:		0476-AoP-CPR-6014282
8 - Declared performance:		
Essential characteristics		Performance
Fire resistance		A1
Minimum safety distances from combustible materials in mm:		
Rear / Side / Front / Ceiling / Floor:		200 / 200 / 2000 / 750 / 100
Fuel spillage risk:		Compliant
Surface temperature:		Compliant
Electrical safety:		Compliant
Accessibility and cleaning:		Compliant
Emissions of combustion products:		
at rated power / at reduced power (mg/m ³ at 13% O ₂):		220 / -
Maximum operating pressure: kPa(Bar)		2.5
Smoke temperature at rated power (°C):		165
Mechanical strength (to support the fire):		Compliant
Rated thermal power (kW):		11.1
Heat output in the environment (kW):		3.2
Heat output transferred to water (kW):		8.0
Efficiency at rated power (%):		89
Efficiency at reduced power (%):		-
9 - The performance of the appliance referred to in points 1 and 2 complies with the performance declared in point 8.		
This declaration of performance is issued under the sole responsibility of the manufacturer as of point 4.		
Arsiero, 12/01/2026		Firma/Signature: 

<p>IT – SCHEDA PRODOTTO (UE 2015/1186) EN – PRODUCT FICHE (EU 2015/1186) FR – FICHE PRODUIT (UE 2015/1186) NL – PRODUCTGEGEVENSBLAD (EU 2015/1186) DE – PRODUKTDATENBLATT (EU 2015/1186) ES – FICHA DE PRODUCTO (UE 2015/1186)</p>	<p>IT – MARCHIO EN – BRAND FR – MARQUE NL – MERK DE – MARKE ES – MARCA</p>	<p>THERMOROSSI S.P.A.</p>
<p>IT – MODELLO EN – MODEL FR – MODÈLE NL – MODEL DE – MODELL ES – MODELO</p>		<p>BOSKY COUNTRY 30 EVO5 BOSKY COUNTRY F30 EVO5</p>
<p>IT – CLASSE DI EFFICIENZA ENERGETICA EN – ENERGY EFFICIENCY CLASS FR – CLASSE D'EFFICACITÉ ÉNERGÉTIQUE NL – ENERGIE-EFFICIËNTIEKLASSE DE – ENERGIEEFFIZIENZKLASSE ES – CLASE DE EFICIENCIA ENERGÉTICA</p>		<p>A +</p>
<p>IT – POTENZA TERMICA DIRETTA EN – DIRECT HEAT OUTPUT FR – PUISSANCE THERMIQUE DIRECTE NL – DIREKTE WARMTEAFGIFTE DE – DIREKTE WÄRMELEISTUNG ES – POTENCIA CALORÍFICA DIRECTA</p>		<p>3.2</p>
<p>IT – POTENZA TERMICA INDIRETTA EN – INDIRECT HEAT OUTPUT FR – PUISSANCE THERMIQUE INDIRECTE NL – INDIRECTE WARMTEAFGIFTE DE – INDIRECTE WÄRMELEISTUNG ES – POTENCIA CALORÍFICA INDIRECTA</p>		<p>8.0</p>
<p>IT – INDICE DI EFFICIENZA ENERGETICA EN – ENERGY EFFICIENCY INDEX FR – INDICE D'EFFICACITÉ ÉNERGÉTIQUE NL – ENERGIE-EFFICIËNTIE-INDEX DE – ENERGIEEFFIZIENZINDEX ES – ÍNDICE DE EFICIENCIA ENERGÉTICA</p>		<p>119</p>
<p>IT – EFFICIENZA UTILE ALLA POTENZA TERMICA NOMINALE EN – USEFUL ENERGY EFFICIENCY AT NOMINAL HEAT OUTPUT FR – RENDEMENT UTILE À LA PUISSANCE THERMIQUE NOMINALE NL – NUTTIG RENDEMENT BIJ NOMINALE WARMTEAFGIFTE DE – BRENNSTOFF-ENERGIEEFFIZIENZ BEI NENNWÄRMELEISTUNG ES – EFICIENCIA ENERGÉTICA ÚTIL A POTENCIA CALORÍFICA NOMINAL</p>		<p>89.1</p>
<p>IT – EFFICIENZA UTILE AL CARICO MINIMO EN – USEFUL ENERGY EFFICIENCY AT MINIMUM LOAD FR – RENDEMENT UTILE À LA CHARGE MINIMALE NL – NUTTIG RENDEMENT BIJ MINIMALE BELASTING DE – BRENNSTOFF-ENERGIEEFFIZIENZ BEI MINDESTLAST ES – EFICIENCIA ENERGÉTICA ÚTIL A CARGA MÍNIMA</p>		<p>-</p>
<p>IT – RISPETTARE TUTTE LE ISTRUZIONI RIPORTATE SUL MANUALE DI INSTALLAZIONE USO E MANUTENZIONE EN – ALWAYS FOLLOW THE INSTRUCTIONS PROVIDED IN THE OPERATING AND MAINTENANCE MANUAL FR – RESPECTER TOUTES LES INSTRUCTIONS CITÉES DANS LA NOTICE D'INSTALLATION, D'UTILISATION ET D'ENTRETIEN NL – RESPECTEER ALLE INSTRUCTIES VERMELD IN DE HANDLEIDING VOOR INSTALLATIE, GEBRUIK EN ONDERHOUD DE – ALLE ANWEISUNGEN BEZÜGLICH INSTALLATION, NUTZUNG UND WARTUNG IN DER BEDIENUNGSANLEITUNG MÜSSEN UNBEDINGT EINGEHALTEN WERDEN! ES – RESPECTAR LAS INSTRUCCIONES REPORTADAS EN EL MANUAL DE UTILIZACIÓN Y MANTENIMIENTO</p>		

1 – INTRODUCTION

1.1 SAFETY GUIDELINES

This installation, use and maintenance manual is an integral and essential part of the product and must be kept by the user. Before commencing with the installation, use and maintenance of the product, carefully read this guide. All local, national and European regulations regarding the installation and use of the appliance must be met. The Manufacturer recommends carrying out all the maintenance operations described in this manual.

This appliance must only be used as intended by the manufacturer. Any other use is considered incorrect and therefore hazardous; consequently, the user shall be totally liable for the product if used improperly. Installation, maintenance and repairs must be carried out by professionally qualified personnel, certified according to Decree no. 37 of 22 January 2008 and in compliance with current regulations. In case of repairs only original spare parts supplied by the manufacturer must be used. Incorrect installation or poor maintenance can injure or damage people, animals or things; in this case the manufacturer shall be relieved of all responsibility. Any repairs or actions carried out on any systems, components or internal parts of the appliance, or on any of the accessories supplied with it, that are not specifically authorised by Thermorossi S.p.A, will automatically void the warranty and the manufacturer's responsibility, pursuant to Italian Decree no. 224 of the President of the Republic of 24/05/1988, art. 6/b. It is recommended to keep this manual in a safe place that is easily accessible to all users. If the manual is lost or deteriorated contact the manufacturer for a replacement copy. If the appliance is sold or transferred to another user ensure that the manual is handed over with it. The images and figures featured in this manual are purely illustrative and may differ from the actual product. Furthermore, Thermorossi reserves the right to apply changes to the content of this manual anytime and without notice.

Thermorossi S.p.A. retains copyright on this manual. These instructions may not be reproduced or communicated to third parties or used in any other way without the necessary authorisation.

1.2 SAFETY STANDARDS



PERSONAL INJURY

This safety symbol identifies important messages throughout the manual. Read the information marked by this symbol carefully as non-observance of this message can cause serious injury to persons using the appliance.



DAMAGE TO PROPERTY

This safety symbol identifies messages or instructions that are fundamental for the appliance and system to function well. To avoid serious damage to the appliance adhere strictly to these instructions.



INFORMATION

This symbol indicates important instructions for good functioning of the appliance. If this information is not correctly observed, the performance of the appliance will not be satisfactory.

1.3 RECOMMENDATIONS



Read this entire use and maintenance manual carefully before using the appliance as familiarity with the information and instructions contained in it are essential for the correct use of the appliance.

No responsibility will be accepted for damages, even to third parties, if the instructions for installation, use and maintenance of the appliance are not followed scrupulously. Modifications made to the appliance by the user or on his behalf, must be considered to be under his complete responsibility. The user is responsible for all the operations required for the maintenance of the appliance before and during its use.



Should you notice an excessive stagnation of flue gas in the combustion chamber, move away from the appliance immediately. In particular move away from the glass door of the combustion chamber. The excessive concentration of unburned gases could create an explosion that could break the glass. Do not open the loading door for any reason whatsoever and do not approach the product until the flame has died down. Contact a technical service centre to determine the causes. Do not turn on the appliance for any reason whatsoever following an event such as this.

1.4 GENERAL GUIDELINES



Attention: the appliance must be connected to a system provided with a PE conductor (in compliance with the specifications concerning low-voltage equipment). Before installing the appliance check the efficiency of the earth circuit of the power supply system.

Attention: the cable section must in any case be no less than 1.5 mm². The appliance requires powering with a voltage of 230 V and 50 Hz. Position the appliance so that the electric power outlet in the room is easily accessible. Ensure that a suitable differential switch is installed upstream from the equipment.

The product must not be used by children under the age of 8 years, by persons with physical, mental or sensorial impairments, or by persons who are not familiar with the instructions for use and maintenance of the product (the instructions are found in this booklet). Children must not play with the appliance.

ATTENTION: before each use make sure that the grate and the ash pan are perfectly clean and check that the firebox door is firmly closed and airtight.

ATTENTION: it is strictly forbidden to open the door while the flame is still burning. During operation, the smoke exhaust pipes, door, handles and some parts of the appliance may reach extremely high temperatures: be careful not to touch them and also

BOSKY COUNTRY 30 – F30 EVO5

educate children to be aware of said risks. Do not expose your body to hot air for long, do not overheat the room in which the appliance is installed, as these actions could cause health problems. Do not expose plants or animals directly to the hot air flow as this could have noxious effects on them. It is prohibited to use any liquids or gases such as alcohol, petrol, etc. to light or rekindle the fire, use only thin wood. Do not place non-heat resistant or inflammable or combustible objects in the vicinity of the appliance: keep them at a suitable distance. Do not place wet clothing to dry on the appliance. When using a clothes horse, keep at a suitable distance. It is strictly prohibited to disconnect the appliance from the electrical power mains while it is in operation.



Caution: do not wet the appliance and do not touch the electrical parts with wet hands. Never vacuum hot ash: this could damage the vacuum device. All the cleaning operations described in this manual must be carried out when the appliance is cold and shut off.



Attention! Warning for Swiss users

Refer to the local cantonal regulations imposed by the Fire Department (Mandatory signalling and safety distances) and the Note concerning installation of heaters issued by the Association of Cantonal Fire Agencies (VKF - AEAI).



ATTENTION: it is mandatory to earth the appliance. If this instruction is not observed serious damage, which is not covered by warranty, will result to the body of the appliance. Have an electrician check the earthing. There must be no electric potential (Volt) between the earth of the generator and the actual earth of the system.

1.5 TRANSPORTATION AND STORAGE

TRANSPORTATION AND HANDLING

The appliance body must always be handled exclusively by means of trolleys. Take special care to protect the glass and all the fragile parts from mechanical impact which could damage them and their correct functioning.

STORAGE

The appliance must be stored in a humid-free environment and sheltered from the weather; avoid placing the appliance directly on the ground. The Company denies all responsibility for damage caused to wood floors or floors made from any other material. It is inadvisable to store the product for long periods of time.

1.6 GUIDELINES FOR CORRECT DISPOSAL OF THE PRODUCT



At the end of the product's useful life, it must be disposed of in compliance with applicable regulations and in respect of the environment, not with urban waste. The product must be consigned to designated sorted waste collection centres for the disposal of waste authorised by the local municipal councils. Correct disposal not only helps safeguard the environment but it also promotes recovery and recycling of the materials.

2 – TECHNICAL CHARACTERISTICS

	PARAMETER	UNIT	BOSKY COUNTRY 30 EVO5	BOSKY COUNTRY F30 EVO5
Thermal power at firebox**	Pfoc	kW	12.5	12.5
Rated thermal power**	Pnom	kW	11.1	11.1
Thermal power output to the room**	PSHnom	kW	3.2	3.2
Thermal power output to the water**	PWnom	kW	8	8
Thermal power at partial load**	Part	kW	-	-
Thermal power output to the room at partial load**	PSHpart	kW	-	-
Thermal power output to the water at partial load**	PWpart	kW	-	-
Efficiency at rated thermal power**	ηnom	%	89	89
Efficiency with thermal power at partial load**	ηpart	%	-	-
Consumption at rated power**	-	Kg/h	2.9	2.9
Consumption at reduced power**	-	Kg/h	-	-
Tank capacity	-	Kg	-	-
Seasonal efficiency at rated thermal power	ηS	%	79	79
Energy Efficiency Index	EI	-	119	119
CO emissions at 13% O ₂ at rated power**	CONom (13%O₂)	mg/m ³	220	220
CO emissions at 13% O ₂ at partial load**	COpart (13%O₂)	mg/m ³	-	-
NOx emissions at 13% O ₂ at rated power**	NOxnom (13%O₂)	mg/m ³	74	74
NOx emissions at 13% O ₂ at partial load**	NOxpart (13%O₂)	mg/m ³	-	-
OGC emissions at 13% O ₂ at rated power**	OGCnom (13%O₂)	mg/m ³	34	34
OGC emissions at 13% O ₂ at partial load**	OGCpart (13%O₂)	mg/m ³	-	-
Particulate emissions at 13% O ₂ at rated power**	PMnom (13%O₂)	mg/m ³	15	15
Particulate emissions at 13% O ₂ at partial load**	PMpart (13%O₂)	mg/m ³	-	-
Minimum flue outlet draught at rated power	pnom	Pa	12	12
Minimum flue outlet draught at partial load	ppart	Pa	12	12
Maximum allowable working pressure of the water	pW	bar	2.5	2.5
Water content of the appliance		l	27	27
Minimum safety distances from combustible material:				
	dR	mm	200	200
	dS	mm	200	200
	dC	mm	750	750
	dP	mm	2000	2000
	dF	mm	1500	1500
	dL	mm	1500	1500
	dB	mm	100	100
Minimum distances from non-combustible walls:	dnon	mm	50	50
Electric power consumption in standby mode	eISB	kW	-	-
Electric power consumption at rated power	elmax	kW	-	-
Electric power consumption at reduced power	elmin	kW	-	-
Power supply voltage, frequency	E, f	V – Hz	230 - 50	230 - 50
Maximum electrical power consumption	Vmax	W	-	-
Exhaust gas temperature at rated power**	Tsnom	°C	165	165
Exhaust gas temperature at partial load**	Tspart	°C	-	-
Chimney designation	Tclass	-	T400G	T400G
Exhaust gas flow rate at rated power**	φf,g nom	g/s	8	8
Exhaust gas flow rate at partial load**	φf,g part	g/s	-	-
Continuous operation (CON) or intermittent operation (INT)	CON or INT	-	INT	INT
Exhaust gas outlet diameter	dout	mm	150	150
Type of appliance	TYPE	-	TYPE B	TYPE B
Air tightness leakage	Vh	m ³ /h	-	-
Depth, height, width	L, H, W	mm	687, 925, 600	687, 925, 1048
Empty weight	m	Kg	251	300
Maximum supported weight of the flue outlet	mchin	Kg	50	50
Heatable volume*		m ³	300	300
Firebox feed opening dimensions (LxH)		mm	210 X 200	210 X 200
Firebox dimensions (LxHxD)		mm	300 x 500 x 440	300 x 500 x 440
Oven dimensions (LxHxD)		mm	-	340 X 300 X 500

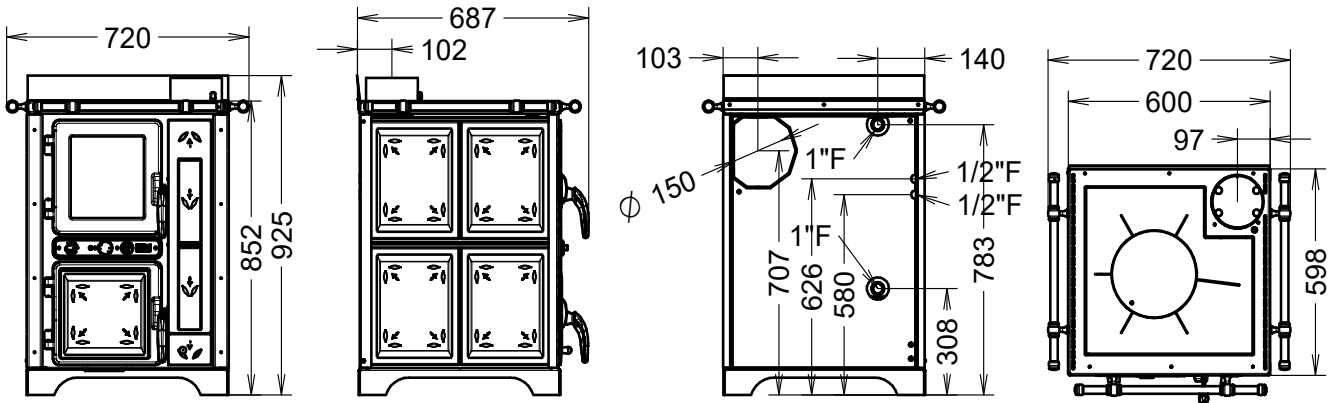
**** IMPORTANT:** It is important to take into consideration the fact that the heatable volume is greatly influenced by the insulation of the house (energy class of the building) and by the position of the appliance in the planimetry of the house, therefore the indicated values may vary, even significantly.

**** ATTENTION:** The indicated values were obtained using beechwood logs (3-4 logs) with thermal value less than or equal to 15,429 kJ/kg and moisture content less than 15%. The use of poorer quality firewood than that specified results in lower yield and lower efficiency, and produces more ash. Moreover the glass on the feed door will become dirtier sooner.

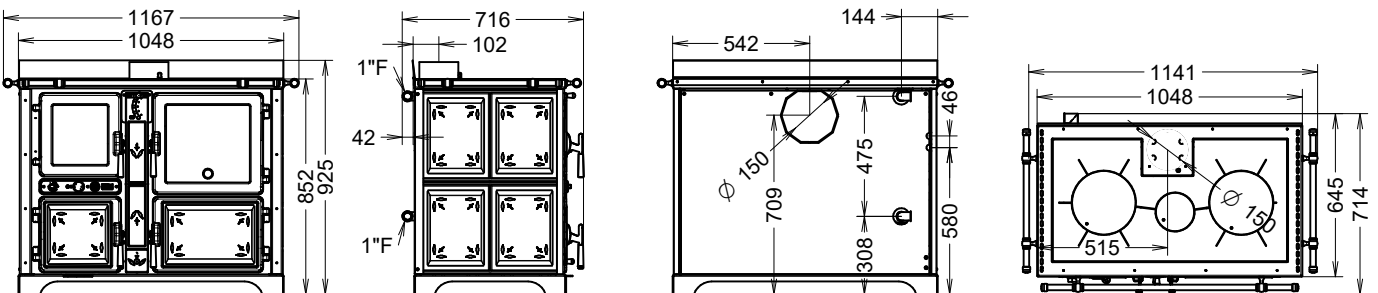
******* It is strictly prohibited to load a greater quantity of fuel than that specified in the table. The warranty will not cover damages caused by the prolonged exposure of the appliance to temperatures that are too high.

2.1 DIMENSIONS

BOSKY COUNTRY 30 EVO5



BOSKY COUNTRY F30 EVO5



3 – GENERAL DESCRIPTION

3.1 THE FUEL

The fuel for this appliance is ordinary wood billets with a moisture content between 10% and 20% and with a thermal value of 13,000 to 15,429 Kcal/kg. We recommend using beech or common hornbeam. If using wood with a lower moisture content or with a higher thermal value, the heat produced by the stove will be greater.

The awareness and use of the right fuel are important aspects to be observed in order to ensure correct operation and long service life of the appliance. To this end we recommend using only dry, well-seasoned wood. We recommend against using wet wood or wood that has been seasoned for less than 18/20 months, as this could be the cause of malfunctions and the formation of tarry deposits that could permanently blacken the walls of the combustion chamber.

We recommend using logs with a length of 250 mm (max recommended section Ø 80 mm) and loading a maximum of 3-4 logs.

2.5 kg on BOSKY COUNTRY 30/F30 EVO5



THE FUEL FEED INTERVALS MUST NOT BE LESS THAN 1 HR. LOADING A LARGER QUANTITY OF FUEL OR LOADING SEVERAL TIMES IN AN HOUR EXPOSES THE COMPONENTS OF THE APPLIANCE TO VERY HIGH TEMPERATURES. FOR THIS REASON THE WARRANTY WILL NOT COVER ANY DAMAGE CAUSED BY PROLONGED EXPOSURE OF THE APPLIANCE TO THESE TEMPERATURES.

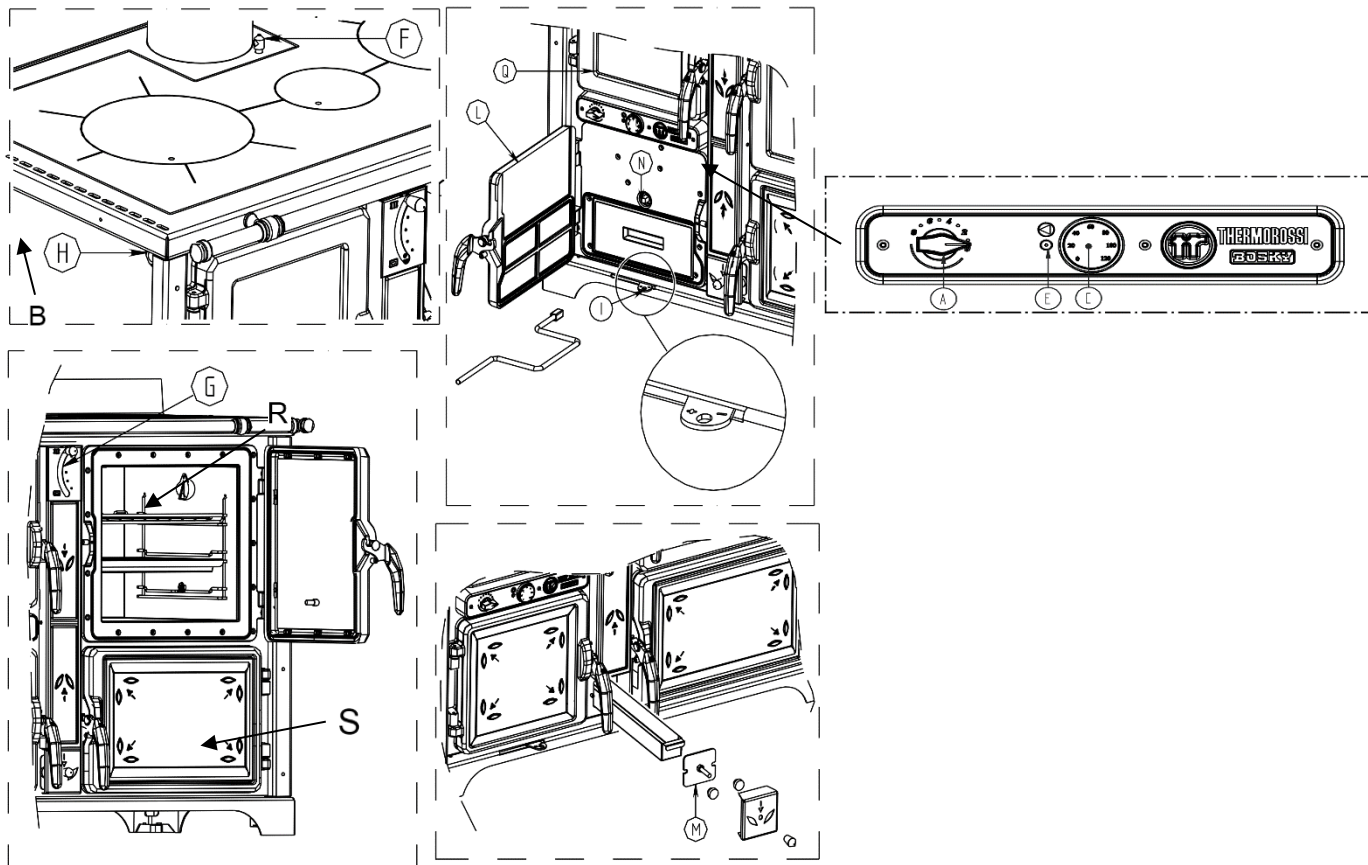


The use of fuel that does not comply with the above specifications or the use of different substances or fuels will immediately void the appliance warranty. The appliance must not be used as an incinerator, and it is prohibited to use any liquid or gas fuel. Do not overload the stove with excessive quantities of fuel; adhere strictly to the maximum declared consumption.



It is strictly prohibited to store combustible or inflammable material in the compartment under the oven. The temperature inside can reach very high levels.

3.2 MAIN COMPONENTS



KEY

A	Primary air control	B	Safety heat exchanger insertion plate
C	Water thermometer	E	Pump active indicator light
F	Starter	G	Smoke deviator flap (only F30 EVO)
H	Thermostat probe and thermometer pocket	I	Air adjustment lever
L	Ash pan door	M	Inspection door
N	Grate adjustment pin	Q	Feed door
R	Oven (only F30 EVO)	S	Under-oven compartment (only F30 EVO)

A – Primary air control

It is used to regulate the primary air inflow. The primary air passes through the grate of the firebox and fuels the combustion to determine its power and speed. Rotate the control towards zero to reduce the air inflow. On the contrary, turn the control towards eight to increase the air inflow. To prevent or limit condensation, it is recommended to keep the control on levels 5-6.

F – Starter

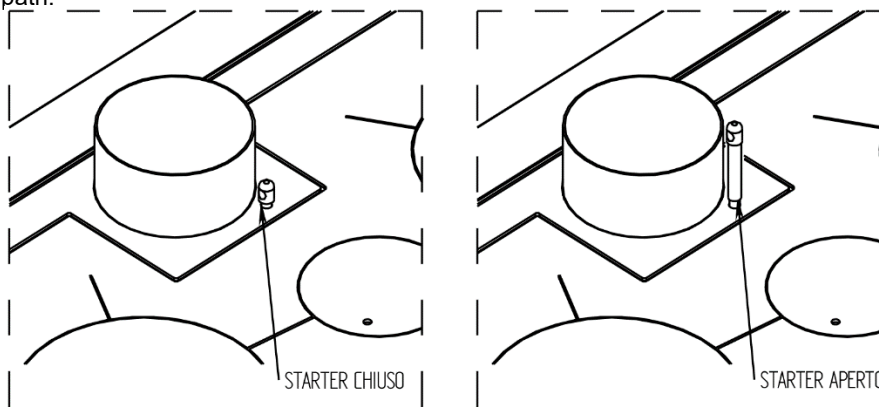
This device creates a direct bypass for the flue gases which facilitates both the lighting and refuelling operations. The riddling tool provided must be used when activating it and only when lighting or stoking the fire.



IT IS STRICTLY PROHIBITED TO LEAVE THE STARTER OPEN DURING NORMAL OPERATION.

Leaving the starter open during normal operation results in higher fuel consumption than the declared quantity, a considerable drop in efficiency and exposure of the appliance to extremely high temperatures. For this reason the warranty does not cover any direct or indirect damages caused by prolonged exposure of the appliance to these temperatures. **ATTENTION: The temperature of the starter is very hot while the appliance is operating, so take care not to touch it. The riddling tool provided must be used when handling it.**

Moving the Starter outwards activates the direct bypass for the flue gases, whereas on the contrary, pushing it downwards activates the normal flue gas path.



LEGENDA	KEY
STARTER CHIUSO	STARTER CLOSED
STARTER APERTO	STARTER OPEN

4 – INSTALLATION

4.1 APPLIANCE LOCATION



Follow the general guidelines set out in paragraph 1.1 to the letter. Be aware that the flooring of the installation site must be capable of withstanding the weight of the appliance and the water contained in it. If this requirement is not met, it is obligatory to adopt countermeasures (for example, load distribution plate ...).



ATTENTION: The room where the appliance is installed must be well ventilated and free from humidity and salty air. A high level of humidity or saltiness in the room can lead to the onset of rust or corrosion which will not be covered by warranty. The appliance must be positioned at a minimum safe distance from walls and furnishings. The minimum distances specified in the technical data table must be observed if there are flammable elements near the appliance (e.g. match boarding, furniture, curtains, pictures and paintings, sofas).



If the flooring is made of wood or any other combustible material, it is mandatory to install a fireproof floor protector plate between the appliance and the floor. Installation in the vicinity of heat-sensitive materials is only permitted if suitable insulating and fireproof protection is placed between the object and the appliance (ref. Uni 10683). Failure to observe this instruction will immediately invalidate the warranty.

The installer must issue a certificate of conformity for the installation which includes the design plans and the following documents:

- a) Report containing the type of materials utilised.
- b) Project as defined in Article 5 of Ministerial Decree n° 37 22 January 2008.
- d) References to existing partial or previous declarations of conformity (e.g. flue outlet).
- e) Copy of the certificate of recognition of the professional technical qualifications.



These documents must, by law, be kept together with the installation, use and maintenance manual. The customer is responsible for verifying, directly or indirectly, that the installation has been carried out to perfection in accordance with relevant regulations in force. Do not install the appliance in unsuitable rooms such as bedrooms, bathrooms, garages and/or lock-ups. It is forbidden to place the appliance in environments with an explosive atmosphere.



ATTENTION, the appliance is not simply a household appliance: if the instructions set out in this manual are not followed and/or if installation of the appliance is not executed perfectly and/or the provisions in force are not strictly complied with, dangerous conditions could arise for both objects and persons. It is the user's responsibility to verify the presence, in the room, of a vent necessary for supplying oxygen to the appliance. It is strictly prohibited to install the appliance as inset or next to furniture.

4.2 UNPACKING THE APPLIANCE

The appliance is supplied packaged on a pallet; always use trolleys to move the appliance and the appliance must always be in a vertical position. Before positioning and installing it dismantle the appliance from the pallet as described:

- Remove the cover, the side panels and any fastening screws from the pallet.
- Remove the appliance from the pallet with the aid of a trolley. Slip the bottom of the trolley under the back part of the appliance and tip the trolley back onto its wheels. Given the weight of the appliance we recommend that this operation be carried out by two people. Take care when lifting the appliance as the centre of gravity of the weight is concentrated at the front.
- Check that all the mobile parts are in place; remove the labels and stickers from the glass.

REMOVE PROTECTIVE FILM FROM THE COOKTOP.

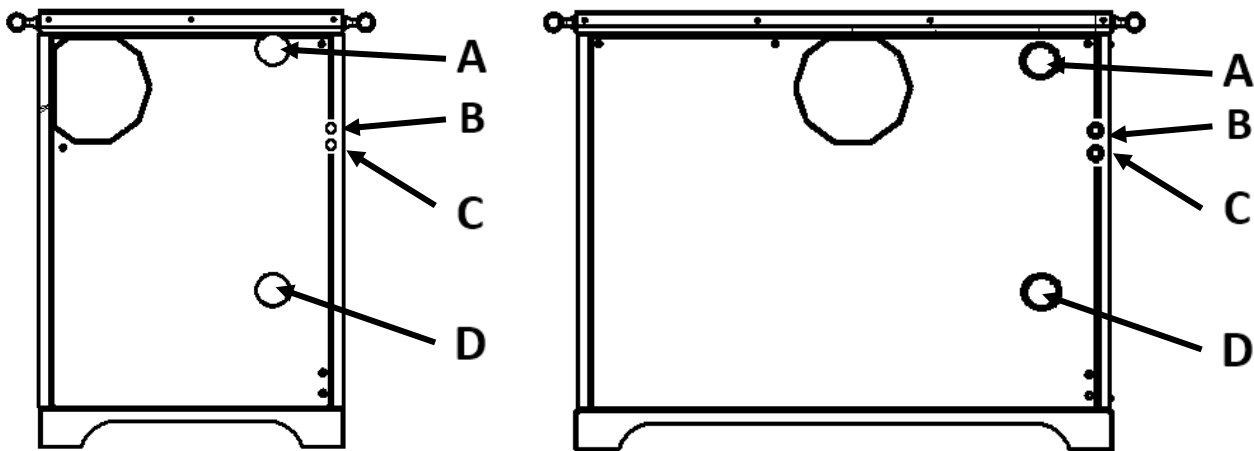
4.3 CONNECTION TO THE FLUE OUTLET



Connection of the appliance to the flue outlet must be carried out in strict compliance with the instructions contained in this booklet and particularly with those in the dedicated chapter.

5 – PLUMBING SYSTEM CONNECTIONS AND DIAGRAMS

5.1 GENERATOR PLUMBING COMPONENTS



KEY			
A	Delivery tube system 1" F	B	Heat exchanger thermal relief ½" F
C	Heat exchanger discharge ½" F	D	Heating plant return 1" F

5.2 GUIDELINES FOR THE HYDRAULIC SYSTEM



The hydraulic system must be installed by qualified personnel who are familiar with the standards mentioned above and who have the appropriate professional requirements to release the declaration of conformance in accordance with Ministerial Decree n° 37 of 22 January 2008. The system must be suitably sized in relation to the power of the generator.



ATTENTION: it is mandatory to earth the generator. If this instruction is not observed serious damage, which is not covered by warranty, will result to the body of the appliance. Have a skilled electrician check the earthing. There must be no electric potential (Volt) between the generator earth and the plant's real earth (earth plate). To prevent electrochemical corrosion of the appliance body do not use galvanised pipes and fittings. Other materials must be earthed with special earthing cables in order to obtain a unipotential earthing system.

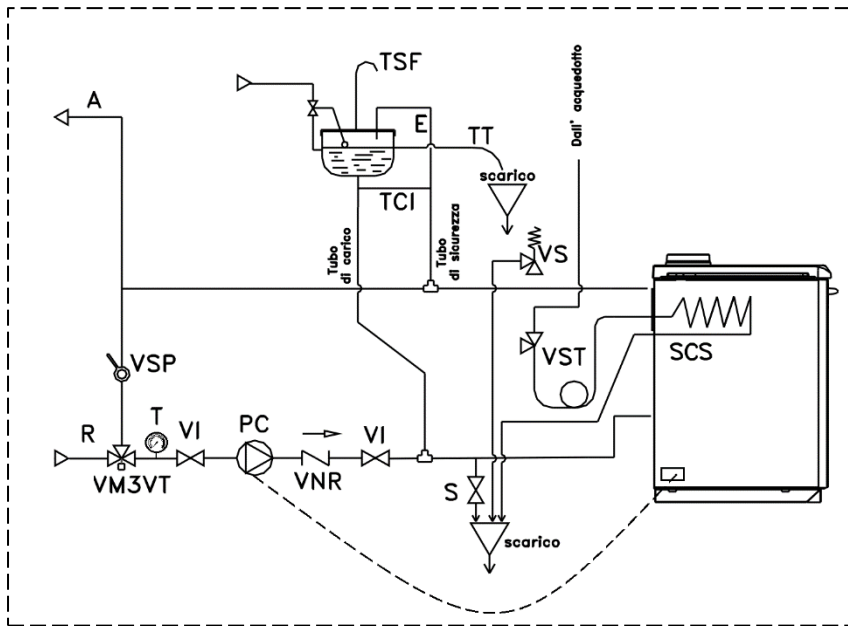
5.3 INSTRUCTIONS FOR EXECUTING THE HYDRAULIC SYSTEM CLOSED EXPANSION TANK

To install the system with a closed expansion tank refer to the requirements laid down in EN 10412-2:2009 for appliances with nominal heat output not exceeding 35 kW. A closed expansion tank must be series-connected to the generator as protection for the system.

The nominal volume of the closed expansion tank must be sized in relation to the total volume of the water contained in the system. Thermorossi prescribes the size of the closed expansion tank as equal to 10% of the volume of water contained in the entire system. Any bulging of the boiler body caused by an incorrectly sized expansion tank will not be covered by the warranty.

The following chapter does not replace the above standards to which it makes reference. The qualified installer must in any case be fully aware of the above standards and their amending versions.

5.4 SCHEMATIC DIAGRAM OF TYPICAL OPEN EXPANSION TANK HYDRAULIC SYSTEM



VSP	Gate valve (throttle according to pressure drop in the system)
A	Heating plant delivery
R	Heating plant return
E	Safety pipe that runs from the boiler to the open expansion tank
S	Boiler discharge
PC	System circulating pump
VI	On-off valve
VNR	Nonreturn valve
VST	Thermal relief valve (recommended)
SCS	Safety heat exchanger (recommended)
VS	Safety valve 3 bar
TCI	Circulation tube
TSF	Vent pipe
TT	Overflow pipe
VM3VT	Anti-condensation mixing valve
T	Return temperature control thermometer

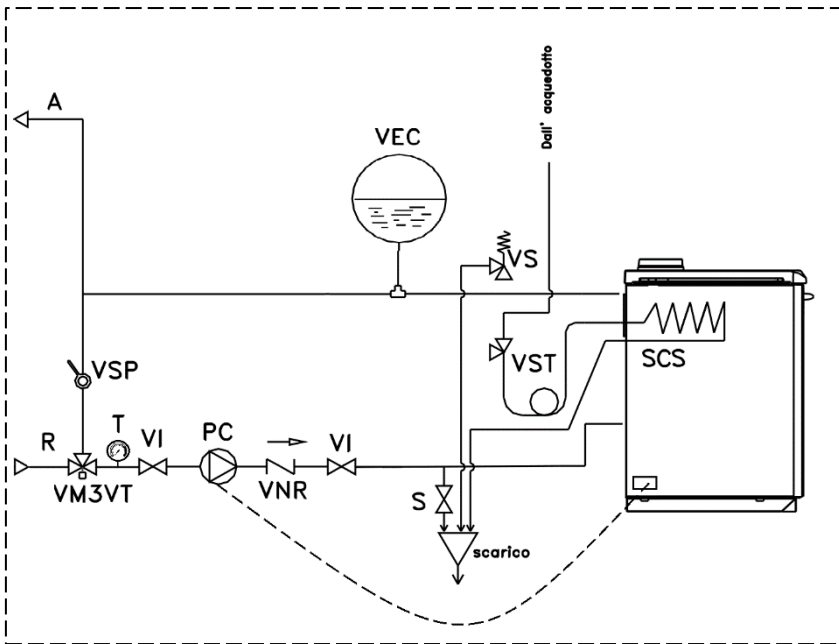
LEGENDA	KEY
Dall'acquedotto	from water mains
Tubo di carico	Delivery pipe
Tubo di sicurezza	Safety tube
Scarico	Outlet



ATTENTION: it is mandatory to earth the generator. If this instruction is not observed serious damage, which is not covered by warranty, will result to the body of the appliance. Have a skilled electrician check the earthing. There must be no electric potential (Volt) between the generator earth and the system's real earth (earth plate). To prevent electrochemical corrosion of the appliance body do not use galvanised pipes and fittings. Other materials must be earthed with special earthing cables in order to obtain a unipotential earthing system.

ATTENTION: It is important to guarantee that the boiler return temperature always exceeds 55°C. For this reason we recommend installing a temperature control thermometer on the return (see diagram). Act on the head of the mixing valve to adjust the temperature.

5.5 SCHEMATIC DIAGRAM OF TYPICAL CLOSED EXPANSION TANK HYDRAULIC SYSTEM



VSP	Gate valve (throttle according to pressure drop in the system)
A	Heating plant delivery
R	Heating plant return
VEC	Closed expansion tank, sized to at least 10% of the volume of water contained in all the system
S	Boiler discharge
PC	System circulating pump
VI	On-off valve
VNR	Nonreturn valve
VST	Thermal relief valve
SCS	Safety heat exchanger
VS	Safety valve 3 bar
VM3VT	Anti-condensation mixing valve
T	Return temperature control thermometer

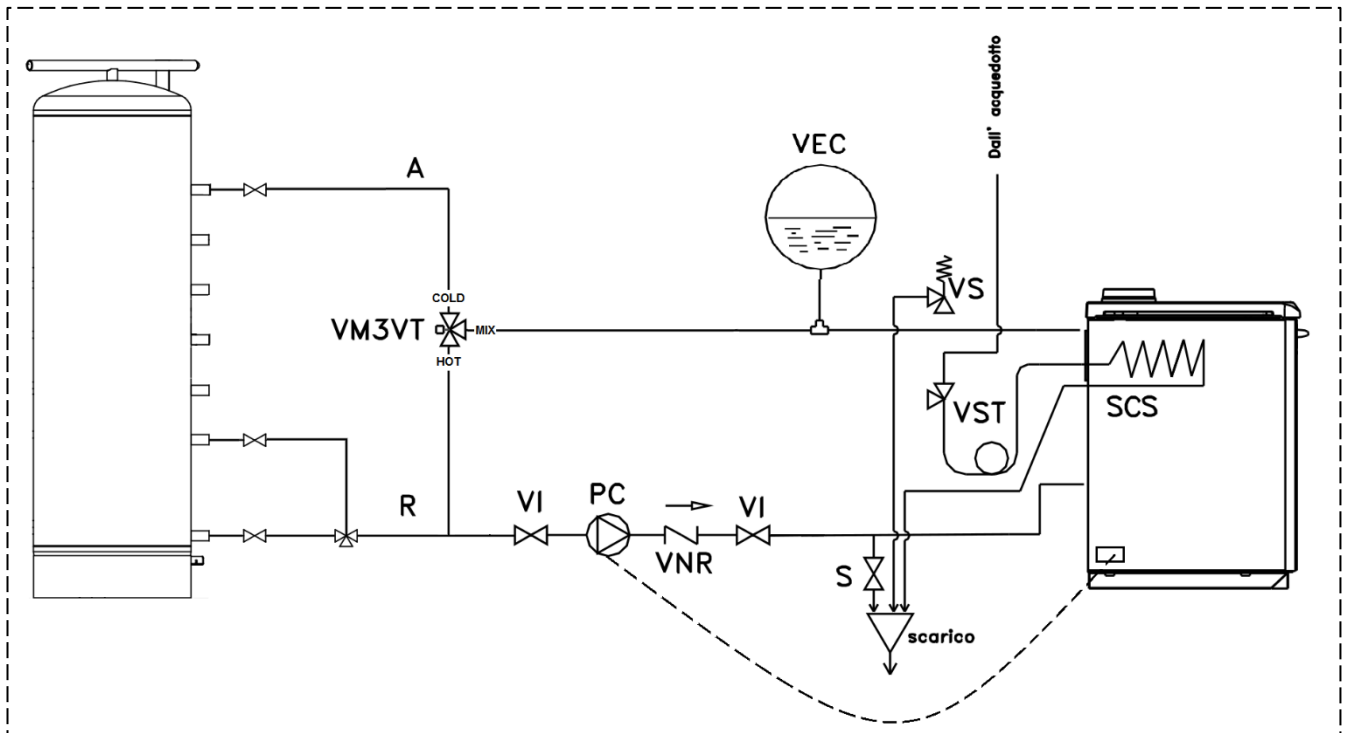
LEGENDA	KEY
Dall'acquedotto	from water mains
Scarico	Outlet



ATTENTION: it is mandatory to earth the generator. If this instruction is not observed serious damage, which is not covered by warranty, will result to the body of the appliance. Have a skilled electrician check the earthing. There must be no electric potential (Volt) between the generator earth and the system's real earth (earth plate). To prevent electrochemical corrosion of the appliance body do not use galvanised pipes and fittings. Other materials must be earthed with special earthing cables in order to obtain a unipotential earthing system.

ATTENTION: It is important to guarantee that the boiler return temperature always exceeds 55°C. For this reason we recommend installing a temperature control thermometer on the return (see diagram). Act on the head of the mixing valve to adjust the temperature.

5.6 SCHEMATIC DIAGRAM OF TYPICAL CLOSED EXPANSION TANK HYDRAULIC SYSTEM WITH PUFFER TANK



PC	System circulating pump	A	Heating plant delivery
VI	On-off valve	R	Heating plant return
VNR	Nonreturn valve	VEC	Closed expansion tank, sized to at least 10% of the volume of water contained in all the system
VST	Thermal relief valve	S	Boiler discharge
SCS	Safety heat exchanger	VS	Safety valve 3 bar
VM3VT	Anti-condensation mixing valve		

LEGENDA	KEY
Dall'acquedotto	from water mains
Scarico	Outlet

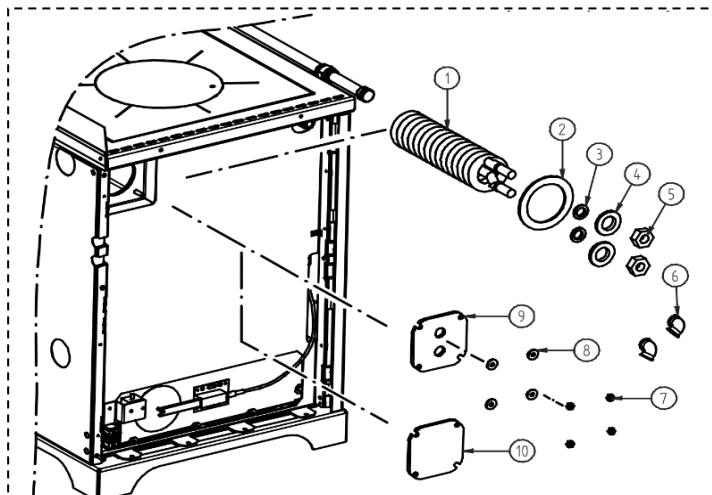


ATTENTION: it is mandatory to earth the generator. If this instruction is not observed serious damage, which is not covered by warranty, will result to the body of the appliance. Have a skilled electrician check the earthing. There must be no electric potential (Volt) between the generator earth and the system's real earth (earth plate). To prevent electrochemical corrosion of the appliance body do not use galvanised pipes and fittings. Other materials must be earthed with special earthing cables in order to obtain a unipotential earthing system.

ATTENTION: Anti-condensation mixing valve should be set at approx. 65°C. So when the temperature of the boiler drops below this value, the "cold" inlet closes and prevents circulation towards the puffer tank but only between the boiler supply and return. In this way, the heat stored in the puffer tank is not dispersed to the boiler.

6 – ASSEMBLING THE COMPONENTS

6.1 INSTALLATION OF THE SAFETY HEAT EXCHANGER (OPTIONAL)



Install the safety heat exchanger in accordance with the following procedure:

- 1) Remove the cover (10) by acting on the screws (7) and washers (8).
- 2) Slide in the heat exchanger (1).
- 3) Fix the heat exchanger to the flange (9) using the elements (2) in the following order: Gasket O-ring (3), conical washer with the concave side towards the O-ring (4) and nut (5).
- 4) Fasten the flange (9) to the boiler.
- 5) Install the certified and calibrated two-way thermal relief valve at the exchanger inlet, following the instructions provided by the manufacturer and install a discharge pipe. Fasten the sensitive element in the special pocket located in the flange (9). The thermal relief valve must have the following characteristics:

- Double safety sensor for solid fuel generators (max. operating pressure): 10 bar
- Temperature range: 5÷110°C - calibration temperature 98°C
- Discharge capacity with $\Delta p = 1$ bar and $T=110^{\circ}\text{C}$: 3,000 l/h - capillary tube length: 130 mm
- **Certified to standard EN 14597**

ATTENTION: before reassembling the remaining parts make sure that the gaskets are tight by bringing the system to pressure.

- 6) Reassemble the parts by carrying out the above procedure in reverse order.



ATTENTION: A CONNECTION MUST BE MADE BETWEEN THE SAFETY VALVE AND THE OUTLET TO PREVENT DAMAGING MATERIALS SURROUNDING THE APPLIANCE WHEN THE VALVE IS ACTIVATED.
ATTENTION: IF THE SAFETY HEAT EXCHANGER IS INSTALLED TO PRODUCE DOMESTIC HOT WATER, THE GUARANTEE FOR THE GENERATOR IS IMMEDIATELY VOIDED.

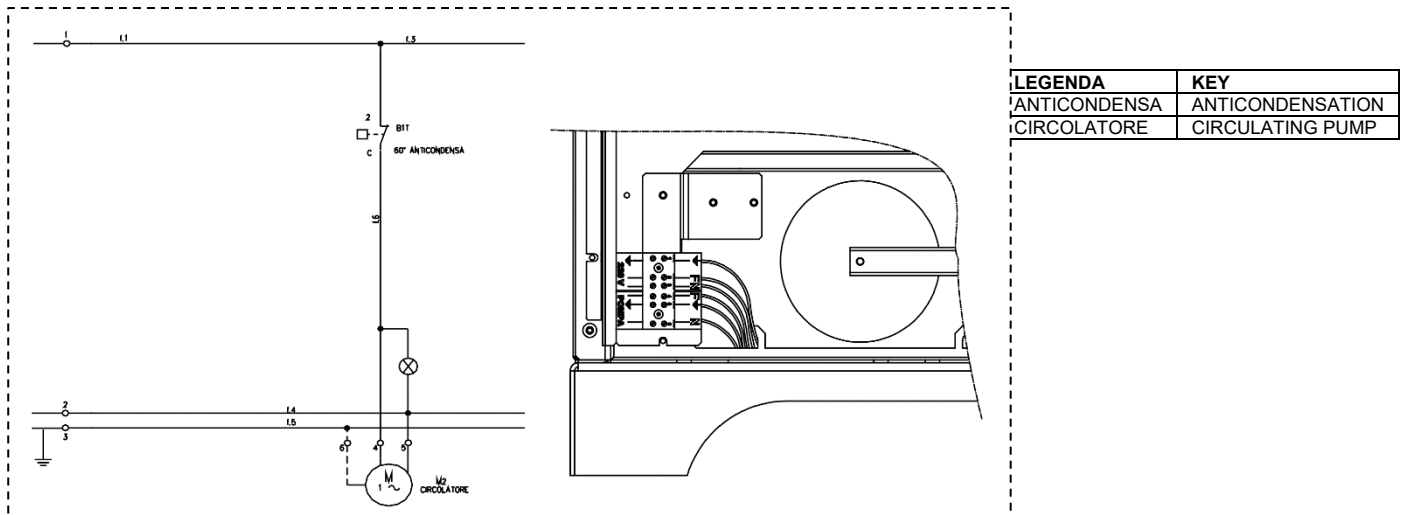
6.2 INSTALLATION OF THE CIRCULATING PUMP

It is mandatory to connect the circulating pump (not supplied as standard) to the dedicated terminal block.

The terminal block is located behind the left side panel (so it will have to be removed). Connect the power supply (230 V) to the terminals as indicated in the figure below. Then connect the circulating pump to the terminals (PUMP). The circulating pump will thus activate as soon as the water in the boiler will exceed the temperature of about 60°C.



This operation must be exclusively performed by qualified professional staff, as set forth by Decree no. 37 of 22nd January 2008 and applicable laws on the subject. Before performing said task, make sure the power supply cable is disconnected from the electrical power socket.



ATTENTION: it is mandatory to earth the generator. If this instruction is not observed serious damage, which is not covered by warranty, will result to the body of the generator. Have an electrician check the earthing. There must be no electric potential (Volt) between the earth of the generator and the actual earth of the system. To prevent electrochemical corrosion of the boiler body do not use galvanised pipes and fittings. Dedicated ground wires must be used to ground all other materials.

6.3 MOUNTING THE CASING

After having installed the product mount the casing as illustrated in the figures below:

- Firstly fix the front majolica tiles (4) and (5) to the seats as indicated (see figure 1). It is advisable to remove the doors in order to complete this operation. Degrease and dry both the majolica tile and the seat before securing the majolica tile to the support with the supplied thermal silicone. Wait at least 24 hours before remounting the doors on the product.
- To mount the majolica tiles (6) first remove the black knob of the smoke deviator flap and then remove the central tile support (8) by pulling it outwards firmly; then use the fixing elements (7) to secure the majolica tiles (6) on the support (8).
- Fix the support (8) with the majolica tiles to the product.
- Remove the profiles (2) and (1) and mount the side majolica tiles (3).
- Fix the majolica tiles by bending the tabs indicated, assemble the profiles (1) and lastly fix the decorative profiles (2).



ATTENTION: The majolica elements are handcrafted so they could contain subtle surface imperfections, crazing or shade variations. The layer of glaze has an expansion factor that is different to that of the majolica tiles which is what causes the hairline cracks. This phenomenon is a natural process and is not a defect. We recommend cleaning the majolica tiles with a dry microfibre cloth and only when the appliance has cooled down. Using moist or wet cleaning cloths would show up the natural crazing even more.

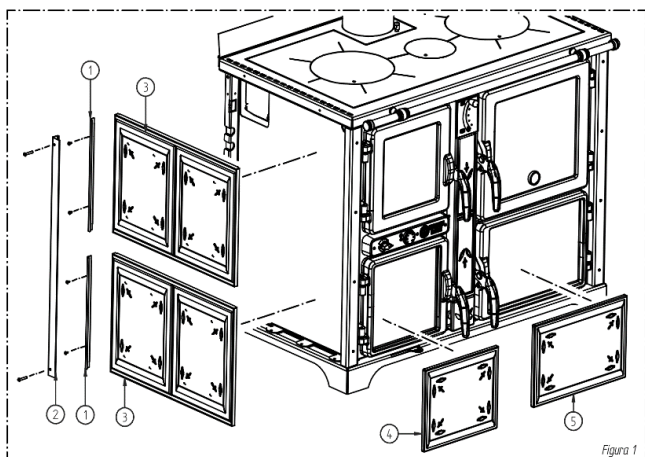


Figura 1

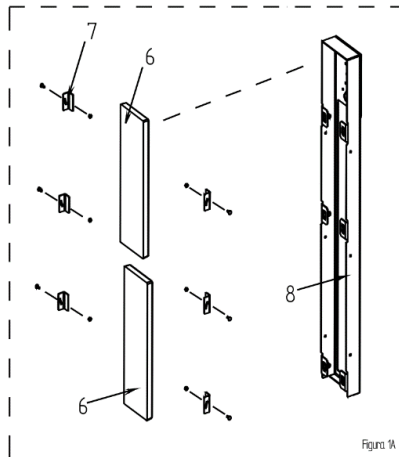


Figura 1A

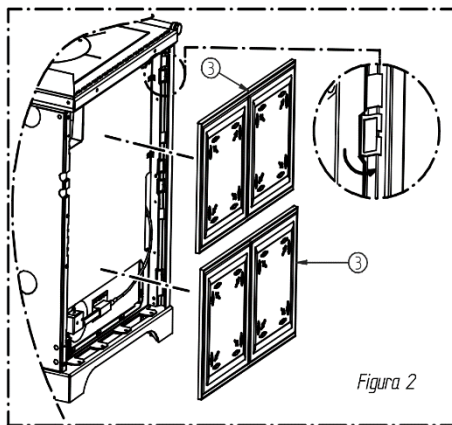


Figura 2

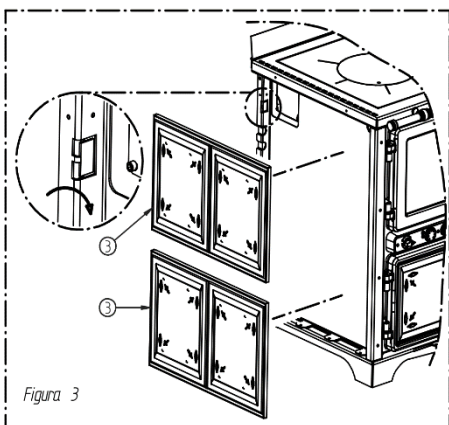


Figura 3

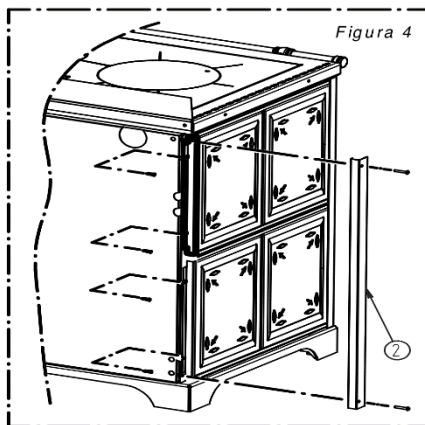
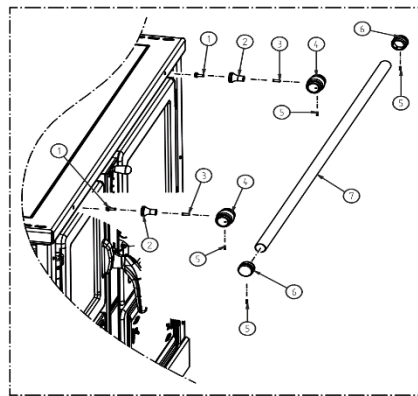


Figura 4

6.4 MOUNTING THE FRONT HANDRAIL

To mount the front handrail proceed as follows:

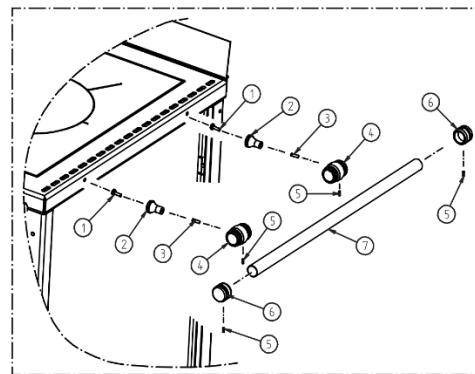
- Fix the spacers (2) and the supports (4) with the screws (3).
- Next fix the resulting unit to the product with the screws (1).
- Align the supports (4) and insert the tube (7).
- Insert the caps (6) in the ends of the tube.
- Secure the assembly with the grub screws (5).



6.5 MOUNTING THE SIDE HANDRAILS (OPTIONAL)

To mount the front handrail proceed as follows:

- Fix the spacers (2) and the supports (4) with the screws (3).
- Next fix the resulting unit to the product with the screws (1).
- Align the supports (4) and insert the tube (7).
- Insert the caps (6) in the ends of the tube.
- Secure the assembly with the grub screws (5).



7 – USE OF THE APPLIANCE



The appliance, when operating, is hot to the touch, particularly the door of the combustion chamber and the cooktop: consequently, take care not to touch any surface. Your appliance has obtained the CE marking. The product must not be used by children, by persons with physical or mental impairments, by persons who are not familiar with the instructions for use and maintenance of the product (the instructions are found in this installation, use and maintenance manual). During the heating and cooling stages, the appliance is exposed to considerable thermal expansions that can cause light expansion sounds. This is a normal process and is not a defect of the product.



ATTENTION: the door must always remain shut tight when the appliance is operating. While the appliance is in operation, the smoke exhaust pipes can reach extremely high temperatures: do not touch them! It is strictly forbidden to use any type of liquid or gaseous fuel to light the appliance. Do not place non-heat resistant or inflammable or combustible objects in the vicinity of the appliance: keep them at a suitable distance. Do not place wet clothing to dry on the appliance. When using a clothes horse, keep at a suitable distance. During the first lighting the paint on the product and the protective oil on the cooktop may give off a slight smell as they complete their drying. This is quite normal. It is recommended to ventilate the room until the paint has completely dried.

7.1 LIGHTING

To startup the stove proceed as follows:

- 1) Raise the starter using the special riddling tool (refer to paragraph 3.2).
- 2) Open the primary air control as far as it will go.
- 3) Open the ring for rekindling the fire or the air regulator lever (I).



ATTENTION: BEFORE LIGHTING THE APPLIANCE MAKE SURE THAT THE GRATE IN THE FIREBOX IS CLEAN, THAT IS THAT THERE IS NO ASH OR COMBUSTION RESIDUES.

- 4) Open the firebox door, place some kindling in the firebox and light it with paper or any other tinder available on the market, then close the firebox door.



IT IS PROHIBITED TO USE ANY LIQUIDS OR GASES SUCH AS ALCOHOL, PETROL, ETC. TO LIGHT OR REKINDLE THE FIRE.

- 5) Do not leave the appliance unsupervised while the lighting process is still in progress (roughly 30 minutes to complete the process) or whenever there are abundant burning embers present.



- 6) Once the lighting sequence is completed lower the starter using the special riddling tool.



ATTENTION: THE DOOR OF THE COMBUSTION CHAMBER AND OF THE ASH PAN MUST ONLY BE OPENED FOR THE LIGHTING OPERATIONS, FOR STOKING AND FOR REMOVING RESIDUAL MATERIAL. DURING NORMAL OPERATION THE FIREBOX DOOR MUST REMAIN CLOSED AND THE STARTER LOWERED.

Leaving the starter, the adjustment ring and the lever open during normal operation results in higher fuel consumption than the declared quantity, a considerable drop in efficiency and exposure of the appliance to extremely high temperatures. For this reason, the warranty does not cover any direct or indirect damages caused by prolonged exposure of the appliance to these temperatures. **ATTENTION: The temperature of the starter is very hot while the appliance is operating, so take care not to touch it. The riddling tool provided must be used when handling it.**



ATTENTION: IT IS NORMAL FOR THE COOKTOP, AFTER THE FIRST LIGHTING, TO ACQUIRE AND RETAIN A BLuish AND/OR YELLOWISH HUE.

7.2 REFUELLING

The stove is an intermittent combustion appliance so it requires refuelling. Once combustion is achieved inside the combustion chamber and consequently there are embers present, proceed with the first fuel feed:

- 1) Raise the starter using the special riddling tool.
- 2) Wait a few seconds and open the firebox door slowly to minimise the risk of smoke escaping and use the riddling tool to spread the embers.

N.B. It is prohibited to light or reload the fuel with a bed of embers higher than 3 cm as this does not guarantee correct use of the appliance.

- 3) Take two or three logs, each of which must not exceed the weight specified in the technical data table, and lay them parallel in the centre of the grate in the combustion chamber, as illustrated in the figures below. Slowly close the firebox door, lower the starter using the special riddling tool.
- 4) Set the primary air control between 5 and 7, as much as required.
- 5) Close the ring for rekindling the fire or the air regulator lever.

To rekindle the fire clear the ash from the air passage slots to promote better combustion. Do not add additional fuel until the previous load has burnt or is reduced to embers, then open the firebox door slowly and place the logs in an orderly manner on the bed of embers. Complete the operation by slowly closing the door and return the air control and levers to the positions described above.



7.3 GRATE POSITIONS

The combustion chamber grate can be adjusted to 3 positions:

- Grate completely lowered and heating only.

By lowering the grate completely almost all the heat is transferred to the water and therefore to the system, making full use of the wet surfaces.

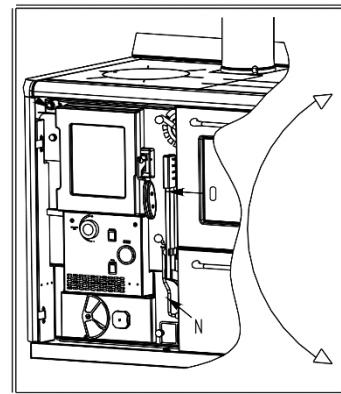
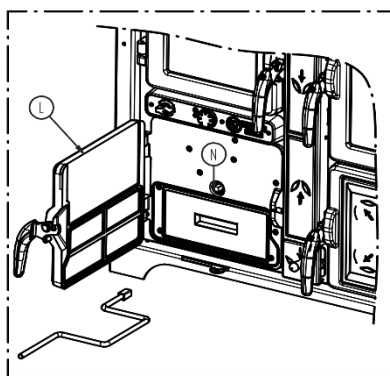
- Grate completely raised.

By raising the grate completely almost all the heat is transferred to the cooktop, or to the oven (if present) depending on the regulation of the flap (explained in the next chapter).

- Intermediate grate and flap positions

Different situations are possible by positioning the grate and flap in intermediate positions.

To lift the grate open the door (L) and turn the pin (N) anticlockwise using the special lever provided. It is easier to perform this operation when there is little fuel. To lower the grate open the door (L) and turn the pin (N) clockwise using the special lever provided, thus lowering the grate itself.



7.4 HOW TO USE THE OVEN (ONLY ON COUNTRY F30 EVO)

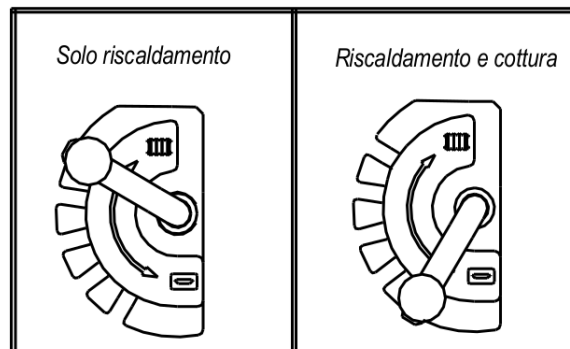
By acting on the smoke deviator flap (see figure on the side) the product can be used in 2 modes:

- Only heating

In this mode almost all the heat is transferred to the water, therefore to the system and to the left side of the cooktop. In this operating mode the maximum heat output is transferred to the water.

- Heating and cooking

In this mode almost all the heat is used to heat the oven, the cooktop plate is completely heated.



LEGENDA	KEY
Solo riscaldamento	Only heating
Riscaldamento e cottura	Heating and cooking

7.5 WARRANTY ON VITRIFICATION AND WET BODY

The warranty (if present) on the vitrified body lasts 8 years from the invoice date.

The warranty (if present) on the standard wet body lasts 4 years from the invoice date.

Both the warranty on the vitrified body and that on the standard wet body, if present, only cover the internal surface of the combustion chamber in contact with combustion gases, notwithstanding the limits and exclusions listed in this warranty certificate and exclusively in the conditions hereby reported. It shall not apply if the product was not installed by a qualified technician who has verified that all characteristics of the system are suitable. Such characteristics must comply with the legislation on safety and systems. It shall not apply if the product is connected to a system that may cause corrosion, deposits or breakage due to stray currents, condensation, water aggressiveness or acidity, improper descaling treatments, lack of water, sludge or limescale deposits. Failing to connect the system circulating pump to the specific terminal block in the generator causes the warranty to be immediately declared null and void. The system must necessarily guarantee a return water temperature exceeding 55°C.

7.6 THERMOMETER

The products with oven are supplied as standard with a thermometer installed on the glass of the oven door.



THE THERMOMETER GIVES AN APPROXIMATE, NOT PERFECTLY RELIABLE, READING OF THE OVEN TEMPERATURE. THE OVEN TEMPERATURE IS STRICTLY RELATED TO THE QUALITY OF THE FUEL, THE FLUE OUTLET DRAUGHT AND OTHER FACTORS, AND MAY EXPERIENCE SUDDEN VARIATIONS. THEREFORE ALWAYS VISUALLY CHECK THE FOOD FOR DONENESS.

7.7 PRESCRIPTIONS FOR CORRECT OPERATION

- Respect the maximum declared consumption, do not overload the stove with excessive quantities of fuel as this could cause damage.



LOADING A LARGER QUANTITY OF FUEL OR LOADING SEVERAL TIMES IN AN HOUR EXPOSES THE COMPONENTS OF THE APPLIANCE TO VERY HIGH TEMPERATURES. FOR THIS REASON, THE WARRANTY WILL NOT COVER ANY DAMAGE CAUSED BY PROLONGED EXPOSURE OF THE APPLIANCE TO THESE TEMPERATURES.



DO NOT THROW THE WOOD INTO THE COMBUSTION CHAMBER, PLACE IT IN GENTLY. THROWING THE WOOD COULD END UP BREAKING PARTS. DAMAGE CAUSED IN THIS WAY IS NOT COVERED BY WARRANTY.

- The appliance must not be used as an incinerator, the use of liquid or gaseous fuels is prohibited.
- Adhere strictly to the operating instructions set out in this manual.
- Always verify that the fuel loaded into the combustion chamber lights correctly. Make sure that this always occurs to avoid any buildup of combustible gases. The buildup of a high quantity of combustible gases could exceed the mechanical resistance of the glass and other components of the stove. For this reason, the manufacturer disclaims all responsibility.
- In adverse weather conditions, such as for example low pressure, windy or rainy days or days with high outside temperatures, the effect could be a drop in draught or reverse draught. In these situations, the flue gases may not be completely exhausted. Consequently, in these cases it is necessary to increase the primary air and load the smallest amount of fuel in order to reactivate the draught of the flue outlet. If you notice the smell of smoke in the room or stagnation of gases inside the combustion chamber avoid using the appliance.

8 - CLEANING AND MAINTENANCE

8.1 FOREWORD



To guarantee correct operation and optimal performance of the appliance at all times carry out the operations described below. Observe the recommended frequency.

If the product is unused for a prolonged period of time before starting up, it is mandatory to inspect the smoke channel and outlet to ensure that there are no obstructions. It is important to carefully follow the instructions set out below: failure to observe these instructions could cause serious damage to the product, to the system, to objects and to persons using the appliance.



Attention: do not wet or touch the appliance with wet hands. Never vacuum hot ash: this could damage the vacuum device. All the cleaning operations described in this manual must be carried out when the appliance is cold.

The user must periodically clean the appliance, or have an authorised service centre clean it, as described in this manual. Moreover, once a year it is advisable to have an inspection carried out of the functionality of the flue outlet.

8.2 CLEANING AND MAINTENANCE

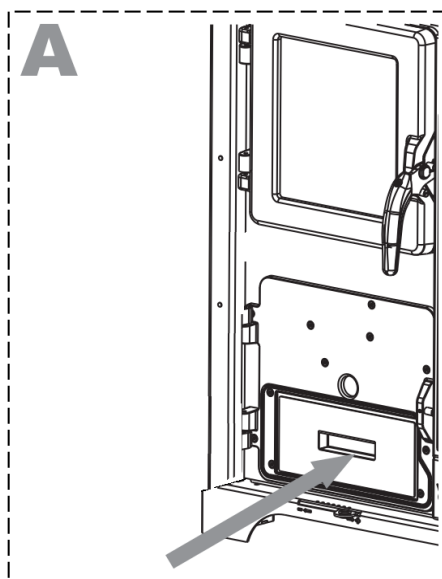
EVERY TIME YOU REFUEL:

- If necessary thoroughly clean the grate of the combustion chamber by de-ashing the grate through the slots. The air passage through the firebox grate must always be kept free from obstructions. Use the supplied riddling tool for this operation.



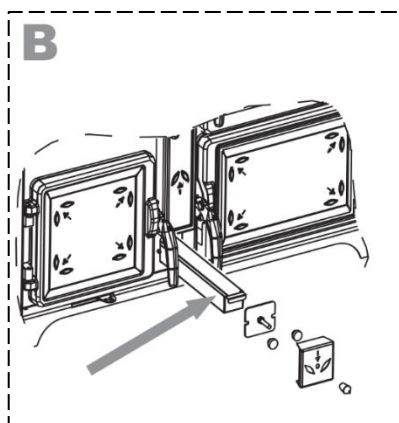
EVERY TWO DAYS or WHENEVER NECESSARY:

- Empty the primary ash pan. We recommend emptying the ash pan regularly before it fills up completely.



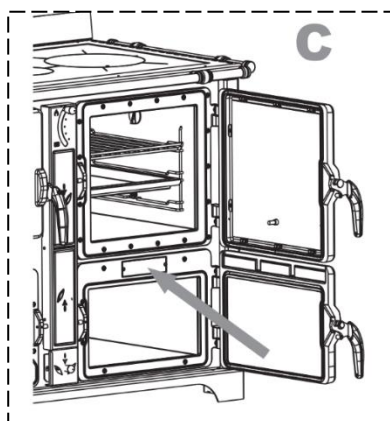
EVERY WEEK:

- Empty the secondary ash pan. We recommend emptying the ash pan regularly before it fills up completely.



EVERY MONTH:

- Clean under the oven, if present. To clean under the oven, remove the cleaning cover as indicated in the figure below and vacuum out the ash deposits.



EVERY 6 MONTHS:

- Lift and remove the cooktop to clean the flue path with a flue brush and ash vacuum device.

AT LEAST ONCE A YEAR:

- Clean the flue outlet. If there are any horizontal sections, inspect them and clean out any ash and soot deposits before they block the passage of the flue gases.

8.3 CLEANING THE COOKTOP AND GLASS ELEMENTS

Clean the cooktop with normal, mild detergents. After cleaning protect the plate by applying a thin layer of oil to it to keep it clean and shiny. Alternatively, apply a thin layer of protective chrome paste readily available at hardware stores. Take care when applying the oil to avoid indelibly soiling the side edges. If any rust appears remove with a slightly abrasive scourer then apply a thin layer of protective oil or chrome paste.

The glass and all the steel parts must only be cleaned when the appliance is cool, with water and mild detergents.

9 - SMOKE DISCHARGE TUBE

9.1 FOREWORD



Due to the frequent accidents caused by poor functioning of flue outlets installed in private dwellings, we have prepared the following paragraph to assist the installer in his inspection of the parts concerned with eliminating the gases produced by combustion.



The exhaust pipe must be installed in compliance with regulations UNI7129, UNI 10683, and with the stated reference values. In particular, the outlet must comply with fire prevention regulations.

It is important to carefully follow the instructions set out below: failure to observe these instructions could cause serious damage to the product, to the system, to objects and to persons using the appliance.

9.2 ROOM VENTILATION



ATTENTION: The presence of extraction fans or similar appliances, if operating in the same room or space in which the product is installed, could cause problems for the correct operation of the product.
 ATTENTION: do not obstruct the vents or the air inlets on the appliance.

The room where the appliance is installed must have a good air inflow to guarantee air for the appliance for the combustion process and for ventilation of the room. The natural air inflow must take place directly through permanent openings on the outer walls or through single or multiple ventilation ducting.

The ventilation air intake must be located away from pollution sources.

The openings in the walls must comply with the following conditions:

- have an unobstructed section of at least 6 cm² for each kW of installed thermal power, with a minimum limit of 100 cm²;
- be made in such a way that the vent openings, both on the inside and outside of the wall, cannot be obstructed;
- be protected with grills or similar systems that do not reduce the opening section indicated above;
- be situated at a height near-floor level and they must not obstruct the correct operation of the combustion product discharge devices; if this position is not possible, the section of the ventilation openings must be enlarged by at least 50%.



The following chapter is not intended to replace UNI 7129, UNI 10683 and EN13240 standards. The qualified installer must in any case be fully aware of this standard and its amending versions.

9.3 SMOKE OUTLET



The smoke channel, the exhaust pipe, chimney and flue outlet (defined as the system for the evacuation of combustion products), are parts of the heating system and they must comply with the legislative requirements of the Ministerial Decree D.M. 37/08 (ex Italian Law 46/90) and to the applicable specific installation regulations, according to the type of fuel. Fireplaces, stoves and barbecues must not be installed in locations where gas appliances type A and type B are present and operating (for the classification see UNI 10642 and UNI 7129). The connection between the appliance and the flue outlet must only receive exhaust from one heat generator.



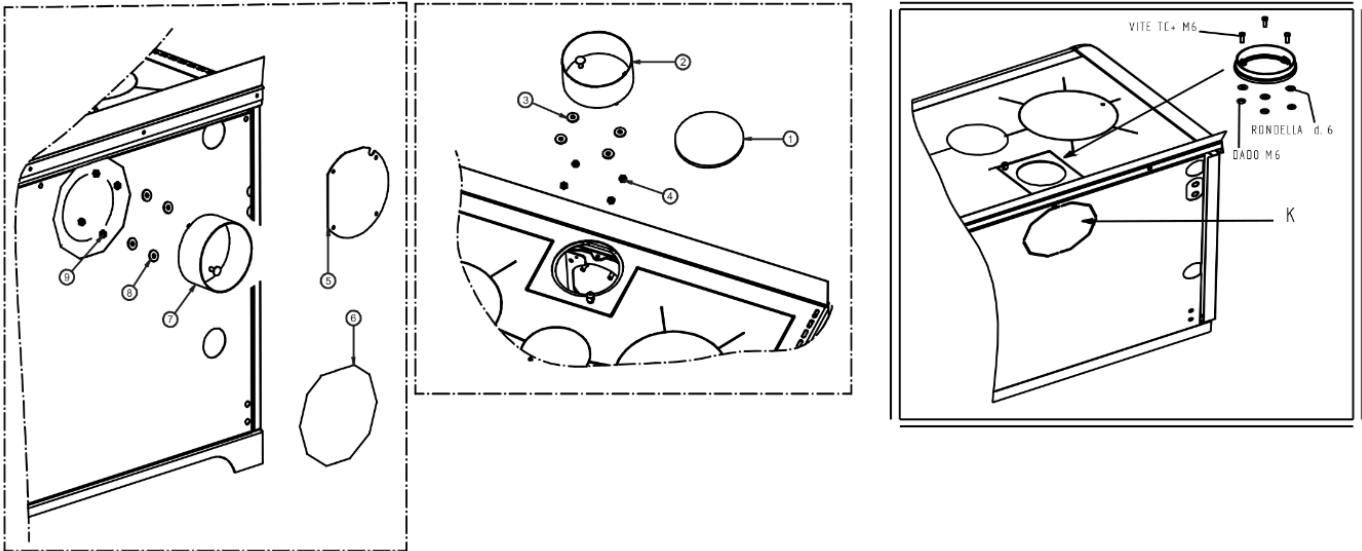
The installer must provide one or more access points on the flue outlet to check the emissions once the appliance has been installed; these access points must be made in such a way as to be airtight sealable to prevent exhaust gas leaks.



It is recommended to provide insulation and to ensure the optimal sizing of the flue outlet in order to avoid the possible risk of condensation forming in the flue outlet.

9.3.1 CONNECTION TO THE FLUE OUTLET

The smoke outlet can be provided either at the top or at the rear, using the collar and its screws supplied, as shown in the figures below (middle and left). If you wish to connect the chimney to the back of the heater then you need to close the top smoke outlet with the cover provided. To do this it is necessary to remove the pre-cut sheet from the back, remove the cover by undoing the screws and then connect the collar. The joints must be completely airtight. Curves and horizontal runs must be kept to a minimum and have a minimum slope of 5%. Never use the same flue outlet for more than one appliance.



LEGENDA	KEY
VITE TC + M6	CAP SCREW TC + M6
RONDELLA D6	WASHER D6
DADO M6	NUT M6

9.3.2 CHIMNEY TYPES

The following types of chimneys, constructed as described, are possible:

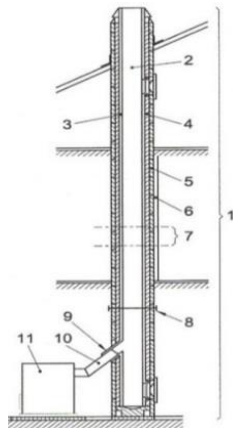
- System: chimney installed using a combination of compatible components (flue liner, insulation, outer casing, etc.), manufactured or specified by a single manufacturer and EC certified in accordance with the applicable standard;
- Composite chimney: chimney installed and built on site using a combination of compatible components such as flue liner (wall in direct contact with the flue gases), possibly also insulation and outer casing (wall) that may be supplied by different manufacturers or by the same manufacturer.
- Relining: operation involving the installation of a specific pipe in an existing shaft (even if newly constructed) made of non-combustible materials, free from obstructions and for single use.

9.3.3 FLUE OUTLET / FLUE SYSTEM COMPONENTS

Components and accessories of a chimney

Key

- 1 Chimney
- 2 Flow path
- 3 Smoke discharge tube
- 4 Thermal insulation
- 5 External wall
- 6 Outer lining
- 7 Flue outlet section
- 8 Multiwall chimney
- 9 Connector
- 10 Flue pipe
- 11 Heat generator



Every chimney must have minimum number of components as laid down by standard UNI EN 1443 which are also indicated in the figure on the side.



ATTENTION: Wall outlets, that is outlets installed on the outer front wall without the use of a chimney/flue outlet /flue pipe to convey the combustion products to the roof, are strictly prohibited.

Installation, use and maintenance guide
BOSKY COUNTRY 30 – F30 EVO5

9.3.4 CONTROLS PRIOR TO INSTALLING THE APPLIANCE

The user must possess a certificate of conformance for the flue outlet (Ministerial Decree 22 January 2008, no. 37).

The flue outlet must be built in compliance with UNI 10683.

The smoke exhaust illustrated in the figure on the side is the best solution required to ensure that the flue gases are discharged. If you prefer to exhaust the smoke from the roof insert a union tee with inspection cap, connecting brackets suitable for the height of the flue outlet, flashing that crosses the roof and chimney cap to protect against bad weather conditions.

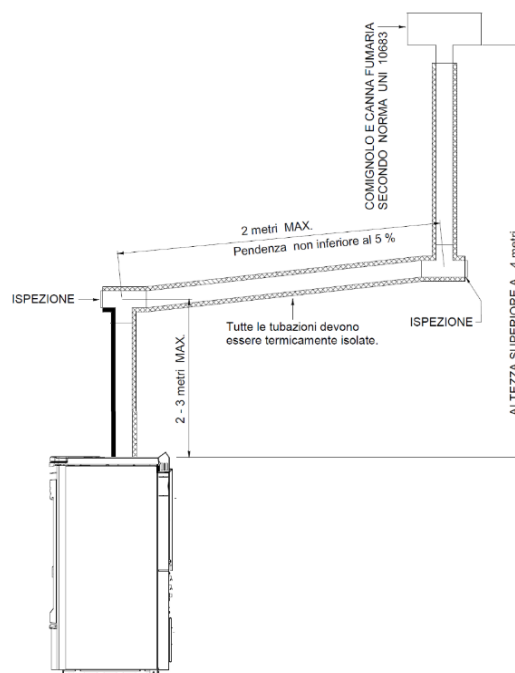
If you decide to use the classic masonry exhaust provide a union tee with inspection cap and suitable supporting brackets. If the flue outlet is too big, it is necessary to insert a stainless steel or porcelain-coated steel tube with suitable diameter.

Seal area where the inlet and outlet part of the smoke exhaust meets the wall. It is strictly forbidden to apply mesh to the end of the outlet tube, as it could cause the appliance to malfunction.

If the smoke tube is installed in a fixed position, it is advisable to provide inspection openings for clean-out purposes especially in the horizontal sections.

See the diagram. These openings are essential to allow for the removal of ash and unburned products which tend to accumulate along the discharge path.

Seal the fittings with red silicone (resistant to 350°C).



The outer casing of the tube must be made with insulating material (mineral wool, ceramic fibre) or use pre-insulated tubing.

THE FLUE OUTLET MUST BE USED ONLY FOR THE APPLIANCE.

It must be possible to inspect and remove all the smoke tube sections for clean-out purposes.

LEGENDA	KEY
COMIGNOLO E CANNA FUMARIA SECONDO NORMA UNI 10683	CHIMNEY CAP AND FLUE OUTLET ACCORDING TO UNI 10683 STANDARD
2 -3 metri MAX	2 -3 metres MAX.
2 metri MAX	2 metres MAX
Pendenza non inferiore al 5%	Minimum slope 5%
ALTEZZA SUPERIORE A 4 m	HEIGHT MORE THAN 4 m
Tutte le tubazioni devono essere termicamente isolate	All the pipes must be thermally insulated
ISPEZIONE	INSPECTION



ATTENTION: if the flue outlet is not sufficiently insulated and /or if it is too long it could generate condensation. It is advisable to provide a condensation drain near the smoke outlet of the appliance. The appliance must always and only be installed in a single flue outlet system dedicated exclusively to the appliance.

If the generator is connected to a non-compliant flue system the appliance could rapidly deteriorate due to an abnormal, continuous overheating: in this case the damaged parts will not be covered by warranty.

IN THE EVENT OF A FIRE IN THE CHIMNEY CLOSE ALL THE AIR PASSAGES AND CALL THE FIRE BRIGADE IMMEDIATELY

BOSKY COUNTRY 30 – F30 EVO5

10 - PROBLEMS, CAUSES AND SOLUTIONS

PROBLEM	CAUSE	SOLUTION
Difficulty in lighting the cooker.	Blocked grate.	Clean the grate.
	Moist wood or too thick.	Use smaller sized and more seasoned wood.
	Poor draught.	Clean the ash pan. Remove the cooktop and thoroughly clean the flue gas path and the flue outlet Check the flue pipe: <ul style="list-style-type: none"> • for constrictions • too many curves • bad insulation • section too small
Smoke in the room. Difficulty maintaining the fire. The oven is not heating properly. Low cooktop temperature. Flame insensitive to draft variations.	Poor draught.	Clean the ash pan and all the inspection drawers. Remove the cooktop and thoroughly clean the smoke channel. Clean (or have someone clean) the flue. Check the flue pipe: <ul style="list-style-type: none"> • for constrictions • too many curves • bad insulation • section too small
Puffs while operating.	No air in the room.	Create an adequate opening for the air.
Cooktop oxidised.	Moist wood or too thick.	Use smaller sized and more seasoned wood.
	Poor maintenance of the cooktop. Corrosive environment for metals.	Clean and maintain the cooktop. Install in a non-oxidising environment.
The fuel is burning too quickly, uncontrolled combustion.	Excessive draught.	Reduce draught of the flue outlet by installing a suitable device (e.g. draught regulator).
The cooktop has warped. The oven thermometers have drifted or yellowed. The handles have warped. Broken components inside the combustion chamber.	Excessive consumption of wood, more than the amount indicated in this manual. Incorrect use of the appliance. No or poor cleaning of the appliance.	Contact a service centre to restore the appliance for a fee then use the appliance as instructed in this manual and comply with all the supplied instructions.
Tendency to generate condensation (presence of humidity /water in the ash-pan compartment and under the product). The temperature of the oven is not rising.	Poor draft	Check the flue outlet
	The system is not absorbing sufficient heat.	Open all the zones of the system, load less wood or install a puffer.
The temperature of the oven is not rising.	Excessive draught.	Reduce draught of the flue outlet by installing a suitable device (e.g. draught regulator).

IF THE RECOMMENDED REMEDIES DO NOT SOLVE THE PROBLEM CONTACT A QUALIFIED TECHNICAL ASSISTANCE SERVICE.

11 – WARRANTY TERMS AND CONDITIONS

POINT 1A

Every Thermorossi product is delivered with this warranty certificate. This warranty is to be considered a **conventional guarantee** as defined in art. 133 of Italian Legislative Decree no. 206 dated 6 September 2005 (so-called Consumer Code). This warranty does not in any way affect the rights expressly granted to the consumer concerning the sale of consumer goods as set forth in Italian Legislative Decree no. 206/2005. The consumer is therefore always entitled to exercise these rights with the seller, under the terms and conditions established by the aforementioned legislative decree and by this conventional guarantee.

This warranty is valid only in the case where the product is purchased for domestic uses (i.e. the subject is a consumer as defined in art. 3 paragraph 1, point A of Italian legislative decree 206/2005) and, in any case, not for business or professional purposes. Barring the cases provided for by law, it is the responsibility of the purchaser to demonstrate any product defects and should such product be found to be fully functional, the warranty will be considered inapplicable. The warranty is valid only if the product is installed, used and serviced in accordance with all the instructions provided in the use, maintenance and installation guide delivered with the product.

This warranty certificate is valid solely for the parts mentioned herein.

The warranty is valid for 24 months for the product, excluding the components expressly indicated in point 1C herein. Thermorossi is therefore not responsible for demonstrating the full functionality of the system to which the product is connected, which remains the customer's responsibility. The warranty is subject to the limits and exclusions specified in this warranty certificate and exclusively under the conditions stated herein. In any case, for a warranty claim to be taken into consideration, the customer must report the non-conformity to the seller in writing no later than two months from the date of its identification. The warranty is null and void if this deadline is not respected. The purchaser is responsible for demonstrating that this warranty is valid; this can be done by presenting a delivery document issued by the seller or another document (receipt, till receipt or similar...) indicating the name of the seller, the product identification details (e.g. model code) and the date of the sale or delivery date if later.

Therefore, for the warranty to be valid, the above documentation must be kept by the consumer and shown when the product is being inspected/repaired. This warranty is valid solely under the following conditions:

- all product installation or connection operations are carried out by personnel qualified in accordance with law, who must issue an appropriate declaration of conformity attesting that the work has been carried out according to best practices and scrupulously following the instructions provided in the use, maintenance and installation guide delivered with the product and the regulations regarding systems and safety.
- all operations involving the use of the product, as well as periodic maintenance, must be carried out according to the instructions and indications provided in the use, maintenance and installation guide delivered with the product.
- all repairs to the product must be carried out by personnel of Thermorossi S.p.A. authorised service centres;
- only original Thermorossi spare parts, accessories and consumables must be used.

The warranty (if present) on the **vitrified body** lasts 8 years from the invoice date.

The warranty (if present) on the **standard wet body** lasts 4 years from the invoice date.

Both the warranty on the vitrified body and that on the standard wet body, if present, only cover the internal surface of the combustion chamber in contact with combustion gases, notwithstanding the limits and exclusions listed in this warranty certificate and exclusively in the conditions hereby reported. It shall not apply if the product was not installed by a qualified technician who has verified that all characteristics of the system are suitable. Such characteristics must comply with the legislation on safety and systems. It shall not apply if the product is connected to a system that may cause corrosion, deposits or breakage due to stray currents, condensation, water aggressiveness or acidity, improper descaling treatments, lack of water, sludge or limescale deposits. Failing to connect the system circulating pump to the specific terminal block in the generator causes the warranty to be immediately declared null and void. The system must necessarily guarantee a return water temperature exceeding 55°C.

POINT 1B

Components damaged by causes and/or events external to the product are excluded from this warranty.

The warranty does not apply to damage caused by: excessive or insufficient flue outlet draught, lack of maintenance, failure to clean the product, atmospheric and chemical agents, corrosion of any type and/or nature, fuel overloads, fire, cleaning, tampering with the product, parts damaged due to overheating caused by a lack of maintenance or excess fuel load.

POINT 1C

The following components are excluded from the warranty: door ceramic glass, majolica tile parts, refractory materials, painted or galvanised parts, enamelled parts, gaskets, knobs, handles, thermometers and consumables in general. Warranty replacement does not imply any resetting of the conventional guarantee or its extension. Colour variations on the majolica tiles and the presence of crazing or spotting are not a reason for claims because they are natural characteristics of the materials themselves. Parts found to be defective due to negligence or careless use, damage during transport, incorrect maintenance, or incorrect installation, are not covered by the warranty.

POINT 1E

This warranty is valid only in Italy. To find your nearest assistance centre, please visit the official Thermorossi website at the following address: www.thermorossi.com.

POINT 2A

The technical assistance centre will take appropriate action as soon as possible in the event of failure of the product to function. In this regard, no compensation shall be due for damage or problems following forced inactivity of the product. Repairs or replacements carried out under this conventional guarantee do not imply any resetting of the conventional guarantee or its extension. Thermorossi will repair the product if possible and this is not too costly for the company. The product will only be replaced if it is objectively impossible to repair it and its replacement is not too costly. The product will not be replaced if external factors have caused evident malfunctions. For the purposes of this conventional guarantee, replacement of the product shall be considered too costly if it entails unreasonable expenses compared to its repair, taking into account the estimated value of the product without the defect, the seriousness of the non-conformity and the possibility of repairs being carried out without significantly inconveniencing the consumer. If technical assistance is provided by the personnel of the technical assistance centres at the customer's request, and such assistance is provided outside the warranty (e.g. because the warranty is not valid, because the customer has not sent the warranty certificate in the set times, or because the part is excluded from this warranty), the costs of such assistance will be charged in full to the customer. These costs include:

Call-out fee, the cost of labour and any parts to be replaced. These costs will be of a reasonable amount and the customer can ask the assistance centre for an indication of the amounts in advance. In any case, it should be noted that requests for assistance "under warranty" which, based on the report and analysis carried out by the assistance centre, are the result of tampering, negligence or non-compliant installation, lack of cleaning or in any case not falling within the scope of this conventional guarantee, will entail:

Call-out fee, the cost of labour and any parts to be replaced. These costs will be of a reasonable amount and the customer can ask the assistance centre for an indication of the amounts in advance.

POINT 2B

Thermorossi S.p.A. declines liability for any damage directly or indirectly caused to persons, animals or property, due to or related to installation that does not comply in full with current regulations and/or installation, use and maintenance that does not comply in full with all the instructions contained in the installation, use and maintenance guide delivered with the product.



THERMOROSSI 
Fire Lovers

THERMOROSSI S.p.A.
Via Grumolo, 4 (Z.I.) 36011 Arsiero (VI) - ITALY
Fax 0445.741657 - www.thermorossi.com - info@thermorossi.it