

# THERMOROSSI

*Fire Lovers*

## FREELINE SERIES

ITA - MANUALE DI INSTALLAZIONE, USO E MANUTENZIONE.  
FRA - MANUEL D'INSTALLATION, D'UTILISATION ET ENTRETIEN.  
ENG - INSTALLATION, USE AND MAINTENANCE GUIDE.  
DEU - INSTALLATIONS, BETRIEBS UND WARTUNGSANLEITUNG.  
ESP - MANUAL DE INSTALACIÓN USO Y MANTENIMIENTO.  
NL - HANDLEIDING VOOR INSTALLATIE, GEBRUIK EN ONDERHOUD.



ITA - Informazioni importanti per la sicurezza ed il corretto funzionamento.  
FRA - A lire impérativement ! Informations importantes pour la sécurité et le bon fonctionnement.  
ENG - Must read! Important information for safety and correct operation.  
DEU - Unbedingt lesen! Wichtige Informationen zur Sicherheit und zum sicheren Betrieb.  
ESP - ¡Leer! Información importante para la seguridad y el correcto funcionamiento.  
NL - Belangrijke informatie voor de veiligheid en de correcte werking.



**INDEX**

1 – INTRODUCTION.....	7
2 – TECHNICAL CHARACTERISTICS.....	9
3 – GENERAL DESCRIPTION .....	13
4 – INSTALLATION.....	15
5 – ASSEMBLING THE CASING .....	17
6 – USE OF THE APPLIANCE .....	17
7 – CLEANING AND MAINTENANCE .....	22
8 – SMOKE EXHAUST TUBE .....	25
9 – PROBLEMS, CAUSES AND SOLUTIONS.....	27
10 – CONDITIONS OF WARRANTY .....	28

**EU Declaration of Conformity (DoC) / Dichiarazione di Conformità UE (DoC)**

<b>Company name:</b> Azienda:	<b>THERMOROSSI S.P.A.</b>	<b>Postal address:</b> Indirizzo:	<b>VIA GRUMOLO, N° 4</b>
Postcode and city: Codice postale e città:	<b>36011 ARSIERO (VI)</b>	Telephone number: Numero di telefono:	<b>0445/741310</b>
E-mail address: Indirizzo e-mail:	<b>INFO@THERMOROSSI.IT</b>		

declare that the DoC is issued under our sole responsibility and belongs to the following product:  
dichiara che la dichiarazione viene rilasciata sotto la propria responsabilità e si riferisce al seguente prodotto:

<b>Apparatus model / Product:</b> <b>Descrizione prodotto:</b>	Stufe a legna Wood stove	<b>Trademark:</b> <b>Marchio:</b>	<b>THERMOROSSI</b>
---	-----------------------------	--------------------------------------	--------------------

<b>Models:</b> <b>Modelli:</b>	<b>SOFIA EVO6</b> <b>AGNESE EVO6</b> <b>ILARIA EVO6</b> <b>VITTORIA EVO6</b> <b>ANNA EVO6</b> <b>FILO EVO6</b> <b>AGORÀ EVO6</b>
-----------------------------------	--

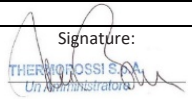
Sono state applicate le seguenti norme armonizzate e/o direttive:  
The following harmonised standards and/or directives have been applied:

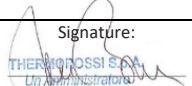
Commission Regulation (EU) 2015/1185


Arsiero, 19/01/2026


Firma/Sign.

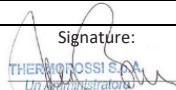
  
THERMOROSSI S.P.A.  
Un amministratore


<b>THERMOROSSI</b> <small>Fire Lovers</small>	<b>DECLARATION OF PERFORMANCE IN ACCORDANCE WITH REGULATION (EU) 305/2011</b>	<b>n°A161</b>
1 - Unique identification code of the product type:		SOFIA EVO6
2 - Model, batch, series (Article 11, paragraph 4):		SOFIA EVO6
3 - Intended uses of the construction product, in accordance with the relevant harmonised technical specification:		Domestic heating appliance, without water, fuelled by wood logs
4 - Registered name and address of the manufacturer (Art. 11, paragraph 5):		THERMOROSSI S.P.A. Via Grumolo, n° 4 36011 Arsiero (VI) Tel.0445/741310
5 - Name and address of the representative (Art. 12, paragraph 2):		-
6 - System for assessing and verifying the constancy of performance of the construction product referred to in Annex V:		System 3 and 4
7 - Notified laboratory:		Kiwa Italia S.p.a. N° 0476
Harmonised technical specification:		EN 16510-2-1
Test report number according to system 3:		0476-AoP-CPR-5014281
8 - Declared performance:		
<b>Essential features</b>		<b>Performance</b>
Fire resistance		A1
Minimum safety distances from combustible materials in millimetres:		
Back / Side / Front / Ceiling / Floor		200 / 200 / 2000 / 750 / 100
Risk of fuel leakage:		Compliant
Surface temperature:		Compliant
Electrical safety:		Compliant
Accessibility and cleanliness:		Compliant
Emission of combustion products:		
at nominal power / at reduced power (mg/m3 at 13% O <sub>2</sub> ):		342 / 5653
Maximum operating pressure:		N.A.
Flue gas temperature at nominal power:		174
Mechanical strength (to support the chimney/fuel):		Compliant
Nominal thermal power (kW)		7,5
Heat output to the environment (kW)		7,5
Heat output transferred to water (kW)		-
Energy efficiency at nominal heat output		90
Energy efficiency at reduced heat output		81
9 - The performance of the product identified in points 1 and 2 is in conformity with the declared performance in point 8.		
This declaration of performance is issued under the sole responsibility of the manufacturer identified in point 4.		
Arsiero, 19/01/2026		Signature:  THERMOROSSI S.P.A. Un'Amministrazione


<b>THERMOROSSI</b> <small>Fire Lovers</small>	<b>DECLARATION OF PERFORMANCE IN ACCORDANCE WITH REGULATION (EU) 305/2011</b>	<b>n°A162</b>
1 - Unique identification code of the product type:		AGNESE EVO6
2 - Model, batch, series (Article 11, paragraph 4):		AGNESE EVO6
3 - Intended uses of the construction product, in accordance with the relevant harmonised technical specification:		Domestic heating appliance, without water, fuelled by wood logs
4 - Registered name and address of the manufacturer (Art. 11, paragraph 5):		THERMOROSSI S.P.A. Via Grumolo, n° 4 36011 Arsiero (VI) Tel.0445/741310
5 - Name and address of the representative (Art. 12, paragraph 2):		-
6 - System for assessing and verifying the constancy of performance of the construction product referred to in Annex V:		System 3 and 4
7 - Notified laboratory:		Kiwa Italia S.p.a. N° 0476
Harmonised technical specification:		EN 16510-2-1
Test report number according to system 3:		0476-AoP-CPR-5014281
8 - Declared performance:		
<b>Essential features</b>		<b>Performance</b>
Fire resistance		A1
Minimum safety distances from combustible materials in millimetres:		
Back / Side / Front / Ceiling / Floor		200 / 200 / 1200 / 750 / 100
Risk of fuel leakage:		Compliant
Surface temperature:		Compliant
Electrical safety:		Compliant
Accessibility and cleanliness:		Compliant
Emission of combustion products:		
at nominal power / at reduced power (mg/m3 at 13% O <sub>2</sub> ):		342 / 5653
Maximum operating pressure:		N.A.
Flue gas temperature at nominal power:		174
Mechanical strength (to support the chimney/fuel):		Compliant
Nominal thermal power (kW)		7,5
Heat output to the environment (kW)		7,5
Heat output transferred to water (kW)		-
Energy efficiency at nominal heat output		90
Energy efficiency at reduced heat output		81
9 - The performance of the product identified in points 1 and 2 is in conformity with the declared performance in point 8.		
This declaration of performance is issued under the sole responsibility of the manufacturer identified in point 4.		
Arsiero, 19/01/2026		Signature:  THERMOROSSI S.P.A. Un'Amministrazione

<b>THERMOROSSI</b> <i>The Experts</i>	<b>DECLARATION OF PERFORMANCE IN ACCORDANCE WITH REGULATION (EU) 305/2011</b>	<b>n°A163</b>
1 - Unique identification code of the product type:		ILARIA EVO6
2 - Model, batch, series (Article 11, paragraph 4):		ILARIA EVO6
3 - Intended uses of the construction product, in accordance with the relevant harmonised technical specification:		Domestic heating appliance, without water, fuelled by wood logs
4 - Registered name and address of the manufacturer (Art. 11, paragraph 5):		THERMOROSSI S.P.A. Via Grumolo, n° 4 36011 Arsiero (VI) Tel.0445/741310
5 - Name and address of the representative (Art. 12, paragraph 2):		-
6 - System for assessing and verifying the constancy of performance of the construction product referred to in Annex V:		System 3 and 4
7 - Notified laboratory:		Kiwa Italia S.p.a. N° 0476
Harmonised technical specification:		EN 16510-2-1
Test report number according to system 3:		0476-AoP-CPR-5014281
8 - Declared performance:		
<b>Essential features</b>		<b>Performance</b>
Fire resistance		A1
Minimum safety distances from combustible materials in millimetres:		
Back / Side / Front / Ceiling / Floor		200 / 200 / 2000 / 750 / 100
Risk of fuel leakage:		Compliant
Surface temperature:		Compliant
Electrical safety:		Compliant
Accessibility and cleanliness:		Compliant
Emission of combustion products:		
at nominal power / at reduced power (mg/m3 at 13% O2:)		460 / -
Maximum operating pressure:		N.A.
Flue gas temperature at nominal power:		231
Mechanical strength (to support the chimney/fuel):		Compliant
Nominal thermal power (kW)		11,4
Heat output to the environment (kW)		11,4
Heat output transferred to water (kW)		-
Energy efficiency at nominal heat output		86
Energy efficiency at reduced heat output		-
9 - The performance of the product identified in points 1 and 2 is in conformity with the declared performance in point 8.		
This declaration of performance is issued under the sole responsibility of the manufacturer identified in point 4.		
Arsiero, 19/01/2026		Signature: 

<b>THERMOROSSI</b> <i>The Experts</i>	<b>DECLARATION OF PERFORMANCE IN ACCORDANCE WITH REGULATION (EU) 305/2011</b>	<b>n°A164</b>
1 - Unique identification code of the product type:		FILO' EVO6
2 - Model, batch, series (Article 11, paragraph 4):		FILO' EVO6
3 - Intended uses of the construction product, in accordance with the relevant harmonised technical specification:		Domestic heating appliance, without water, fuelled by wood logs
4 - Registered name and address of the manufacturer (Art. 11, paragraph 5):		THERMOROSSI S.P.A. Via Grumolo, n° 4 36011 Arsiero (VI) Tel.0445/741310
5 - Name and address of the representative (Art. 12, paragraph 2):		-
6 - System for assessing and verifying the constancy of performance of the construction product referred to in Annex V:		System 3 and 4
7 - Notified laboratory:		Kiwa Italia S.p.a. N° 0476
Harmonised technical specification:		EN 16510-2-1
Test report number according to system 3:		0476-AoP-CPR-5014281
8 - Declared performance:		
<b>Essential features</b>		<b>Performance</b>
Fire resistance		A1
Minimum safety distances from combustible materials in millimetres:		
Back / Side / Front / Ceiling / Floor		200 / 200 / 2000 / 750 / 100
Risk of fuel leakage:		Compliant
Surface temperature:		Compliant
Electrical safety:		Compliant
Accessibility and cleanliness:		Compliant
Emission of combustion products:		
at nominal power / at reduced power (mg/m3 at 13% O2:)		460 / -
Maximum operating pressure:		N.A.
Flue gas temperature at nominal power:		231
Mechanical strength (to support the chimney/fuel):		Compliant
Nominal thermal power (kW)		11,4
Heat output to the environment (kW)		11,4
Heat output transferred to water (kW)		-
Energy efficiency at nominal heat output		86
Energy efficiency at reduced heat output		-
9 - The performance of the product identified in points 1 and 2 is in conformity with the declared performance in point 8.		
This declaration of performance is issued under the sole responsibility of the manufacturer identified in point 4.		
Arsiero, 19/01/2026		Signature: 

<b>THERMOROSSI</b> <small>Fire Lovers</small>	<b>DECLARATION OF PERFORMANCE IN ACCORDANCE WITH REGULATION (EU) 305/2011</b>	n°A165
1 - Unique identification code of the product type:		VITTORIA EVO6
2 - Model, batch, series (Article 11, paragraph 4):		VITTORIA EVO6
3 - Intended uses of the construction product, in accordance with the relevant harmonised technical specification:		Domestic heating appliance, without water, fuelled by wood logs
4 - Registered name and address of the manufacturer (Art. 11, paragraph 5):		THERMOROSSI S.P.A. Via Grumolo, n° 4 36011 Arsiero (VI) Tel.0445/741310
5 - Name and address of the representative (Art. 12, paragraph 2):		-
6 - System for assessing and verifying the constancy of performance of the construction product referred to in Annex V:		System 3 and 4
7 - Notified laboratory:		Kiwa Italia S.p.a. N° 0476
Harmonised technical specification:		EN 16510-2-1
Test report number according to system 3:		0476-AoP-CPR-5014281
8 - Declared performance:		
	<b>Essential features</b>	<b>Performance</b>
Fire resistance		A1
Minimum safety distances from combustible materials in millimetres:		
Back / Side / Front / Ceiling / Floor		200 / 200 / 2000 / 750 / 100
Risk of fuel leakage:		Compliant
Surface temperature:		Compliant
Electrical safety:		Compliant
Accessibility and cleanliness:		Compliant
Emission of combustion products:		
at nominal power / at reduced power (mg/m3 at 13% O2:)		449 / -
Maximum operating pressure:		N.A.
Flue gas temperature at nominal power:		221
Mechanical strength (to support the chimney/fuel):		Compliant
Nominal thermal power (kW)		12,7
Heat output to the environment (kW)		12,7
Heat output transferred to water (kW)		-
Energy efficiency at nominal heat output		87
Energy efficiency at reduced heat output		-
9 - The performance of the product identified in points 1 and 2 is in conformity with the declared performance in point 8.		
This declaration of performance is issued under the sole responsibility of the manufacturer identified in point 4.		
Arsiero, 19/01/2026		Signature:  THERMOROSSI S.p.A. Un'Amministrazione

<b>THERMOROSSI</b> <small>Fire Lovers</small>	<b>DECLARATION OF PERFORMANCE IN ACCORDANCE WITH REGULATION (EU) 305/2011</b>	n°A166
1 - Unique identification code of the product type:		ANNA EVO6
2 - Model, batch, series (Article 11, paragraph 4):		ANNA EVO6
3 - Intended uses of the construction product, in accordance with the relevant harmonised technical specification:		Domestic heating appliance, without water, fuelled by wood logs
4 - Registered name and address of the manufacturer (Art. 11, paragraph 5):		THERMOROSSI S.P.A. Via Grumolo, n° 4 36011 Arsiero (VI) Tel.0445/741310
5 - Name and address of the representative (Art. 12, paragraph 2):		-
6 - System for assessing and verifying the constancy of performance of the construction product referred to in Annex V:		System 3 and 4
7 - Notified laboratory:		Kiwa Italia S.p.a. N° 0476
Harmonised technical specification:		EN 16510-2-1
Test report number according to system 3:		0476-AoP-CPR-5014281
8 - Declared performance:		
	<b>Essential features</b>	<b>Performance</b>
Fire resistance		A1
Minimum safety distances from combustible materials in millimetres:		
Back / Side / Front / Ceiling / Floor		200 / 200 / 2000 / 750 / 100
Risk of fuel leakage:		Compliant
Surface temperature:		Compliant
Electrical safety:		Compliant
Accessibility and cleanliness:		Compliant
Emission of combustion products:		
at nominal power / at reduced power (mg/m3 at 13% O2:)		449 / -
Maximum operating pressure:		N.A.
Flue gas temperature at nominal power:		221
Mechanical strength (to support the chimney/fuel):		Compliant
Nominal thermal power (kW)		12,7
Heat output to the environment (kW)		12,7
Heat output transferred to water (kW)		-
Energy efficiency at nominal heat output		87
Energy efficiency at reduced heat output		-
9 - The performance of the product identified in points 1 and 2 is in conformity with the declared performance in point 8.		
This declaration of performance is issued under the sole responsibility of the manufacturer identified in point 4.		
Arsiero, 19/01/2026		Signature:  THERMOROSSI S.p.A. Un'Amministrazione

<b>THERMOROSSI</b> <i>Fire Lovers</i>	<b>DECLARATION OF PERFORMANCE IN ACCORDANCE WITH REGULATION (EU) 305/2011</b>	n°167
1 - Unique identification code of the product type:		AGORA' EVO6
2 - Model, batch, series (Article 11, paragraph 4):		AGORA' EVO6
3 - Intended uses of the construction product, in accordance with the relevant harmonised technical specification:		Domestic heating appliance, without water, fuelled by wood logs
4 - Registered name and address of the manufacturer (Art. 11, paragraph 5):		THERMOROSSI S.P.A. Via Grumolo, n° 4 36011 Arsiero (VI) Tel.0445/741310
5 - Name and address of the representative (Art. 12, paragraph 2):		-
6 - System for assessing and verifying the constancy of performance of the construction product referred to in Annex V:		System 3 and 4
7 - Notified laboratory:		Kiwa Italia S.p.a. N° 0476
Harmonised technical specification:		EN 13240
Test report number according to system 3:		2011607/01
8 - Declared performance:		
<b>Essential features</b>		<b>Performance</b>
Fire resistance		A1
Minimum safety distances from combustible materials in millimetres:		
Back / Side / Front / Ceiling / Floor		350 / 350 / 1000 / /
Risk of fuel leakage:		Compliant
Surface temperature:		Compliant
Electrical safety:		Compliant
Accessibility and cleanliness:		Compliant
Emission of combustion products:		
at nominal power / at reduced power (mg/m3 at 13% O2:)		406 /
Maximum operating pressure:		0
Flue gas temperature at nominal power:		242
Mechanical strength (to support the chimney/fuel):		Compliant
Nominal thermal power (kW)		12,2
Heat output to the environment (kW)		12,2
Heat output transferred to water (kW)		0,0
Energy efficiency at nominal heat output		85
Energy efficiency at reduced heat output		-
9 - The performance of the product identified in points 1 and 2 is in conformity with the declared performance in point 8.		
This declaration of performance is issued under the sole responsibility of the manufacturer identified in point 4.		
Arsiero, 19/01/2026		Signature:  THERMOROSSI S.P.A. Un amministratore

IT - SCHEDA PRODOTTO (UE 2015/1186) EN - PRODUCT FICHE (EU 2015/1186) FR - FICHE PRODUIT (UE 2015/1186) NL - PRODUCTGEGEVENSBLAD (EU 2015/1186) DE - PRODUKTDATENBLATT (EU 2015/1186) ES - FICHA DE PRODUCTO (UE 2015/1186)	IT - MARCHIO EN - BRAND FR - MARQUE NL - MERK DE - MARKE ES - MARCA	<b>THERMOROSSI S.P.A.</b>						
IT - MODELLO EN - MODEL FR - MODÈLE NL - MODEL DE - MODELL ES - MODELO		<b>SOFIA EVO6</b>	<b>AGNESE EVO6</b>	<b>ILARIA EVO6</b>	<b>FILÒ EVO6</b>	<b>VITTORIA EVO6</b>	<b>ANNA EVO6</b>	<b>AGORA' EVO6</b>
IT - CLASSE DI EFFICIENZA ENERGETICA EN - ENERGY EFFICIENCY CLASS FR - CLASSE D'EFFICACITÉ ÉNERGÉTIQUE NL - ENERGIE EFFICIENTIEKLASSE DE - ENERGIEEFFIZIENZKLASSE ES - CLASE DE EFICIENCIA ENERGÉTICA		<b>A +</b>	<b>A +</b>	<b>A +</b>	<b>A +</b>	<b>A +</b>	<b>A +</b>	<b>A +</b>
IT - POTENZA TERMICA DIRETTA EN - DIRECT HEAT OUTPUT FR - PUISSANCE THERMIQUE DIRECTE NL - DIREKTE WARMTEAFGIFTE DE - DIREKTE WÄRMELEISTUNG ES - POTENCIA CALORÍFICA DIRECTA		<b>7,5</b>	<b>7,5</b>	<b>11,4</b>	<b>11,4</b>	<b>12,7</b>	<b>12,7</b>	<b>12,2</b>
IT - POTENZA TERMICA INDIRETTA EN - INDIRECT HEAT OUTPUT FR - PUISSANCE THERMIQUE INDIRECTE NL - INDIRECTE WARMTEAFGIFTE DE - INDIRECTE WÄRMELEISTUNG ES - POTENCIA CALORÍFICA INDIRECTA		-	-	-	-	-	-	-
IT - INDICE DI EFFICIENZA ENERGETICA EN - ENERGY EFFICIENCY INDEX FR - INDICE D'EFFICACITÉ ÉNERGÉTIQUE NL - ENERGIE-EFFICIENTIE-INDEX DE - ENERGIEEFFIZIENZINDEX ES - INDICE DE EFICIENCIA ENERGÉTICA		<b>120</b>	<b>120</b>	<b>115</b>	<b>115</b>	<b>116</b>	<b>116</b>	<b>114</b>
IT - EFFICIENZA UTILE ALLA POTENZA TERMICA NOMINALE EN - USEFUL ENERGY EFFICIENCY AT NOMINAL HEAT OUTPUT FR - RENDEMENT UTILE À LA PUISSANCE THERMIQUE NOMINALE NL - NUTTIG RENDEMENT BIJ NOMINAAL VERMOGEN DE - BRENNSTOFF-ENERGIEEFFIZIENZ BEI NENNWÄRMELEISTUNG ES - EFICIENCIA ENERGÉTICA ÚTIL A POTENCIA CALORÍFICA NOMINAL		<b>89,8</b>	<b>89,8</b>	<b>86,1</b>	<b>86,1</b>	<b>86,8</b>	<b>86,8</b>	<b>85,3</b>
IT - EFFICIENZA UTILE AL CARICO MINIMO EN - USEFUL ENERGY EFFICIENCY AT MINIMUM LOAD FR - RENDEMENT UTILE À LA CHARGE MINIMALE NL - NUTTIG RENDEMENT BIJ MINIMALE WARMTEAFGIFTE DE - BRENNSTOFF-ENERGIEEFFIZIENZ BEI MINDESTLAST ES - EFICIENCIA ENERGÉTICA ÚTIL A CARGA MINIMA		<b>81</b>	<b>81</b>	-	-	-	-	-
IT - RISPETTARE TUTTE LE ISTRUZIONI RIPORTATE SUL MANUALE DI INSTALLAZIONE USO E MANUTENZIONE EN - ALWAYS FOLLOW THE INSTRUCTIONS PROVIDED IN THE OPERATING AND MAINTENANCE MANUAL FR - RESPECTER TOUTES LES INSTRUCTIONS CITÉES DANS LA NOTICE D'INSTALLATION, UTILISATION ET ENTRETIEN NL - VOLG ALTIJD DE INSTRUCTIES VAN DE INSTALLATIE-, GERUIKERSHANDLEIDING EN DE ONDERHOUDSVOORSCHRIFTEN DE - ERFÜLLEN DIE ANWEISUNGEN DER INSTALLATION, NUTZUNG UND WARTUNG, DIE IN DER ANLEITUNGSBUCH SIND ES - RESPECTAR LAS INSTRUCCIONES REPORTADAS EN EL MANUAL DE UTILIZACIÓN Y MANTENIMIENTO								

## 1 – INTRODUCTION

### 1.1 SAFETY GUIDELINES

This installation, use and maintenance manual is an integral and essential part of the product and must be kept by the user. Before commencing with the installation, use and maintenance of the product, carefully read this guide. All local, national and European regulations regarding the installation and use of the appliance must be met. The Manufacturer recommends carrying out all the maintenance operations described in this manual.

This appliance must only be used as intended by the manufacturer. Any other use is considered incorrect and therefore hazardous; consequently, the user shall be totally liable for the product if used improperly. Installation, maintenance and repairs must be carried out by professionally qualified personnel, certified according to Decree no. 37 of 22 January 2008 and in compliance with current regulations. In case of repairs only original spare parts supplied by the manufacturer must be used. Incorrect installation or poor maintenance can injure or damage people, animals or things; in this case the manufacturer shall be relieved of all responsibility. Any repairs or actions carried out on any systems, components or internal parts of the appliance, or on any of the accessories supplied with it, that are not specifically authorised by Thermorossi S.p.A, will automatically void the warranty and the manufacturer's responsibility, pursuant to Italian Decree no. 224 of the President of the Republic of 24/05/1988, art. 6/b. It is recommended to keep this manual in a safe place that is easily accessible to all users. If the manual is lost or deteriorated contact the manufacturer for a replacement copy. If the appliance is sold or transferred to another user ensure that the manual is handed over with it. The images and figures featured in this manual are purely illustrative and may differ from the actual product. Furthermore, Thermorossi reserves the right to apply changes to the content of this manual anytime and without notice.

*Thermorossi S.p.A. retains copyright on this manual. These instructions may not be reproduced or communicated to third parties or used in any other way without the necessary authorisation.*

### 1.2 SAFETY STANDARDS



#### PERSONAL INJURY

This safety symbol identifies important messages throughout the manual. Read the information marked by this symbol carefully as non-observance of this message can cause serious injury to persons using the appliance.



#### DAMAGE TO PROPERTY

This safety symbol identifies messages or instructions that are fundamental for the appliance and system to function well. To avoid serious damage to the appliance, adhere strictly to these instructions.



#### INFORMATION

This symbol indicates important instructions for good functioning of the appliance. If this information is not correctly observed, the performance of the appliance will not be satisfactory.

### 1.3 RECOMMENDATIONS



Read this entire use and maintenance manual carefully before using the appliance as familiarity with the information and instructions contained in it are essential for the correct use of the appliance.

No responsibility will be accepted for damages, even to third parties, if the instructions for installation, use and maintenance of the appliance are not followed scrupulously. Modifications made to the appliance by the user or on his behalf, must be considered to be under his complete responsibility. The user is responsible for all the operations required for the maintenance of the appliance before and during its use.



Should you notice an excessive stagnation of flue gas in the combustion chamber, move away from the appliance immediately. In particular move away from the glass door of the combustion chamber. The excessive concentration of unburned gases could create an explosion that could break the glass. Do not open the loading door for any reason whatsoever and do not approach the product until the flame has died down. Contact a technical service centre to determine the causes. Do not turn on the appliance for any reason whatsoever following an event such as this.

### 1.4 GENERAL GUIDELINES

The product must not be used by children under the age of 8 years, by persons with physical, mental or sensorial impairments, or by persons who are not familiar with the instructions for use and maintenance of the product (the instructions are found in this manual). Children must not play with the appliance.

ATTENTION: before lighting check that the grate of the combustion chamber is clean and that the ash pan is clean. ATTENTION: it is strictly forbidden to open the door while the flame is still burning. During operation, the smoke exhaust pipes, door, handles and some parts of the appliance may reach extremely high temperatures: be careful not to touch them and also educate children to be aware of said risks. Do not expose your body to hot air for long, do not overheat the room in which the appliance is installed, as these actions could cause health problems. Do not expose plants or animals directly to the hot air flow as this could have noxious effects on them. Do not place non-heat resistant or inflammable or combustible objects in the vicinity of the appliance: keep them at a suitable distance. Do not place wet clothing to dry on the appliance. When using a clothes horse, keep at a suitable distance.



Attention: do not wet the appliance. Never vacuum hot ash: this could damage the vacuum device. All the cleaning operations described in this manual must be carried out when the appliance is cold.



Attention! Warning for Swiss users

Refer to the local cantonal regulations imposed by the Fire Department (Mandatory signalling and safety distances) and the Note concerning installation of heaters issued by the Association of Cantonal Fire Agencies (VKF - AEAI).

## **1.5 TRANSPORTATION AND STORAGE**

### **TRANSPORTATION AND HANDLING**

The appliance body must always be handled exclusively by means of trolleys. Take special care to protect the glass and all the fragile parts from mechanical impact which could damage them and their correct functioning.

### **STORAGE**

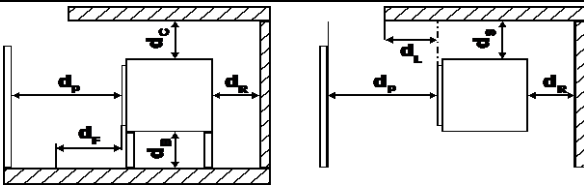
The appliance must be stored in a humid-free environment and sheltered from the weather; avoid placing the appliance directly on the ground. The Company denies all responsibility for damage caused to wood floors or floors made from any other material. It is inadvisable to store the product for long periods of time.

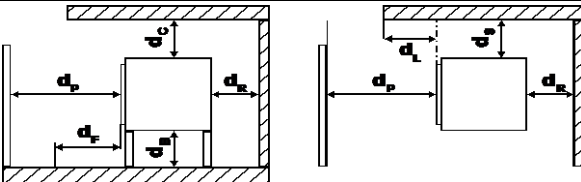
## **1.6 GUIDELINES FOR CORRECT DISPOSAL OF THE PRODUCT**



At the end of the product's useful life, it must be disposed of in compliance with applicable regulations and in respect of the environment, not with urban waste. The product must be consigned to designated sorted waste collection centres for the disposal of waste authorised by the local municipal councils. Correct disposal not only helps safeguard the environment but it also promotes recovery and recycling of the materials.

## 2 – TECHNICAL CHARACTERISTICS

	PARAMETER	UNIT	SOFIA EVO6	AGNESE EVO6	ILARIA EVO6	FILO' EVO6
Firebox Power**	Pfoc	kW	8,4	8,4	13,2	13,2
Nominal heat output**	Pnom	kW	7,5	7,5	11,4	11,4
Heat output to the environment **	PSHnom	kW	7,5	7,5	11,4	11,4
Water heat output**	PWnom	kW	-	-	-	-
Heat output at part load**	Part	kW	3,2	3,2	-	-
Heat output to the environment at partial load **	PSHpart	kW	3,2	3,2	-	-
Water heat output at partial load**	PWpart	kW	-	-	-	-
Efficiency at rated thermal output**	$\eta_{nom}$	%	90	90	86	86
Efficiency with thermal power at partial load**	$\eta_{part}$	%	81	81	-	-
Rated power consumption**	-	Kg/h	1,9	1,9	3,1	3,1
Reduced power consumption**	-	Kg/h	-	-	-	-
Tank capacity	-	Kg	-	-	-	-
Seasonal efficiency at nominal power	$\eta_S$	%	80	80	76	76
Energy efficiency index	EEl	-	121	121	115	115
CO emissions with 13% O2 at rated power**	CO <sub>nom</sub> (13%O <sub>2</sub> )	mg/m <sup>3</sup>	342	342	460	460
CO emissions with 13% O2 at partial load**	CO <sub>part</sub> (13%O <sub>2</sub> )	mg/m <sup>3</sup>	5653	5653	-	-
NOx emissions with 13% O2 at rated power**	NO <sub>xnom</sub>	mg/m <sup>3</sup>	99	99	82	82
NOx emissions with 13% O2 at partial load**	NO <sub>xpart</sub>	mg/m <sup>3</sup>	105	105	-	-
OGC emissions with 13% O2 at rated power**	OGC <sub>nom</sub>	mg/m <sup>3</sup>	28	28	34	34
OGC emissions with 13% O2 at partial load**	OGC <sub>part</sub>	mg/m <sup>3</sup>	210	210	-	-
Particulate emissions with 13% O2 at rated power**	PM <sub>nom</sub> (13%O <sub>2</sub> )	mg/m <sup>3</sup>	9	9	9	9
Particulate emissions with 13% O2 at partial load**	PM <sub>part</sub> (13%O <sub>2</sub> )	mg/m <sup>3</sup>	42	42	-	-
Minimum chimney draught at rated power	p <sub>nom</sub>	Pa	12	12	12	12
Minimum chimney draught at partial load	p <sub>part</sub>	Pa	12	12	12	12
Maximum permissible working pressure of water	p <sub>W</sub>	bar	-	-	-	-
Water content of the appliance		l	-	-	-	-
Minimum safety distances from combustible materials:	d <sub>R</sub>	mm	200	200	200	200
	d <sub>S</sub>	mm	200	200	200	200
	d <sub>C</sub>	mm	750	750	750	750
	d <sub>P</sub>	mm	1200	1200	2000	2000
	d <sub>F</sub>	mm	300	300	1500	1500
	d <sub>L</sub>	mm	300	300	1500	1500
	d <sub>B</sub>	mm	100	100	100	100
	d <sub>non</sub>	mm	50	50	50	50
Minimum distances from non-combustible walls:	d <sub>non</sub>	mm	50	50	50	50
Electricity consumption in standby mode	e <sub>lSB</sub>	kW	-	-	-	-
Electricity consumption at rated power	e <sub>lmax</sub>	kW	-	-	-	-
Electricity Consumption at partial load	e <sub>lmin</sub>	kW	-	-	-	-
Supply voltage, frequency	E, f	V, Hz	-	-	-	-
Maximum electrical power consumption	V <sub>max</sub>	W	-	-	-	-
Exhaust gas temperature at rated power**	T <sub>snom</sub>	°C	174	174	231	231
Partial load exhaust gas outlet temperature**	T <sub>spart</sub>	°C	148	148	-	-
Chimney designation	T <sub>class</sub>	-	T400G	T400G	T400G	T400G
Exhaust gas flow at rated power**	$\phi_{f,g nom}$	g/s	4,7	4,7	6,8	6,8
Exhaust gas flow at partial load**	$\phi_{f,g part}$	g/s	-	-	-	-
Continuous operation (CON) or intermittent operation (INT)	CON o INT	-	INT	INT	INT	INT
Exhaust gas outlet diameter	d <sub>out</sub>	mm	130	130	130	130
Type of appliance	TYPE	-	TYPE B	TYPE B	TYPE B	TYPE B
Air tightness loss	V <sub>h</sub>	m <sup>3</sup> /h	-	-	-	-
Length, height, width	L, H, W	mm	541, 1384, 455	541, 1384, 455	541, 1384, 455	571, 886, 514
Unloaded weight	m	Kg	151	151	174	169
Maximum weight that the chimney can bear	m <sub>chin</sub>	Kg	0	0	0	0
Heatable volume*		m <sup>3</sup>	203	203	308	308
Opening dimensions (WxH)		mm	245x318	245x318	315x320	315x320
Firebox dimensions (WxHxD)		mm	289x343x337	289x343x337	362x337x380	362x337x380
Oven dimensions (WxHxD)		mm	-	253x344x314	-	-
Top plate dimensions (WxHxD)		mm	-	-	-	305x70x254

	PARAMETER	UNIT	VITTORIA EVO6	ANNA EVO6	AGORA' EVO6
Firebox Power**	Pfoc	kW	14,6	14,6	14,3
Nominal heat output**	Pnom	kW	12,7	12,7	12,2
Heat output to the environment **	PSHnom	kW	12,7	12,7	12,2
Water heat output**	PWnom	kW	-	-	-
Heat output at part load**	Part	kW	-	-	0
Heat output to the environment at partial load **	PSHpart	kW	-	-	0
Water heat output at partial load**	PWpart	kW	-	-	-
Efficiency at rated thermal output**	$\eta_{nom}$	%	87	87	85
Efficiency with thermal power at partial load**	$\eta_{part}$	%	-	-	0
Rated power consumption**	-	Kg/h	3,4	3,4	3,3
Reduced power consumption**	-	Kg/h	-	-	0,0
Tank capacity	-	Kg	-	-	-
Seasonal efficiency at nominal power	$\eta_S$	%	77	77	75
Energy efficiency index	EEl	-	116	116	113
CO emissions with 13% O2 at rated power**	CONom (13%O <sub>2</sub> )	mg/m <sup>3</sup>	449	449	406
CO emissions with 13% O2 at partial load**	COpart (13%O <sub>2</sub> )	mg/m <sup>3</sup>	-	-	0
NOx emissions with 13% O2 at rated power**	NOxnom	mg/m <sup>3</sup>	86	86	80
NOx emissions with 13% O2 at partial load**	NOxpart	mg/m <sup>3</sup>	-	-	0
OGC emissions with 13% O2 at rated power**	OGCnom	mg/m <sup>3</sup>	31	31	24
OGC emissions with 13% O2 at partial load**	OGCpart	mg/m <sup>3</sup>	-	-	0
Particulate emissions with 13% O2 at rated power**	PMnom (13%O <sub>2</sub> )	mg/m <sup>3</sup>	9	9	9
Particulate emissions with 13% O2 at partial load**	PMpart (13%O <sub>2</sub> )	mg/m <sup>3</sup>	-	-	0
Minimum chimney draught at rated power	pnom	Pa	12	12	12
Minimum chimney draught at partial load	ppart	Pa	12	12	12
Maximum permissible working pressure of water	pW	bar	-	-	-
Water content of the appliance		l	-	-	-
Minimum safety distances from combustible materials:	dR	mm	200	200	350
	dS	mm	200	200	350
	dC	mm	750	750	0
	dP	mm	2000	2000	1000
	dF	mm	1500	1500	0
	dL	mm	1500	1500	0
	dB	mm	100	100	0
Minimum distances from non-combustible walls:	dnon	mm	50	50	0
Electricity consumption in standby mode	eISB	kW	-	-	0
Electricity consumption at rated power	eImax	kW	-	-	0
Electricity Consumption at partial load	eImin	kW	-	-	0
Supply voltage, frequency	E, f	V, Hz	-	-	0
Maximum electrical power consumption	Vmax	W	-	-	0
Exhaust gas temperature at rated power**	Tsnom	°C	221	221	242
Partial load exhaust gas outlet temperature**	Tspart	°C	-	-	0
Chimney designation	Tclass	-	T400G	T400G	0
Exhaust gas flow at rated power**	$\phi_{f,g} \text{ nom}$	g/s	8	8	0
Exhaust gas flow at partial load**	$\phi_{f,g} \text{ part}$	g/s	-	-	0
Continuous operation (CON) or intermittent operation (INT)	CON o INT	-	INT	INT	0
Exhaust gas outlet diameter	dout	mm	130	130	0
Type of appliance	TYPE	-	TYPE B	TYPE B	0
Air tightness loss	Vh	m <sup>3</sup> /h	-	-	0
Length, height, width	L, H, W	mm	573, 1133, 511	575, 1550, 511	574, 879, 760
Unloaded weight	m	Kg	195	239	0
Maximum weight that the chimney can bear	mchin	Kg	0	0	0
Heatable volume*		m <sup>3</sup>	343	343	329
Opening dimensions (WxH)		mm	315x442	315x442	549x320
Firebox dimensions (WxHxD)		mm	362x462x380	362x462x380	600x337x380
Oven dimensions (WxHxD)		mm	-	344x303x333	-
Top plate dimensions (WxHxD)		mm	-	-	550x70x254

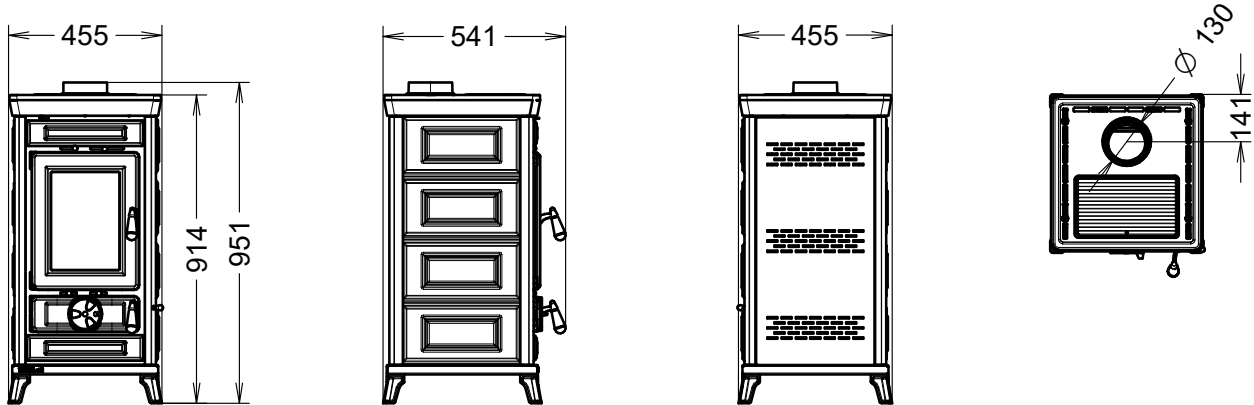
\* **IMPORTANT:** it is important to take into consideration the fact that the heatable volume is greatly influenced by the insulation of the house (energy class of the building) and by the position of the appliance in the planimetry of the house, therefore the indicated values may vary, even significantly.

\*\* **ATTENTION:** the indicated values were obtained using beechwood logs (2 logs) with thermal value less than 15,429 kJ/kg and moisture content less than 15%. The use of poorer quality firewood than that specified results in lower yield and lower efficiency, and produces more ash. Moreover the glass on the feed door will become dirtier sooner.

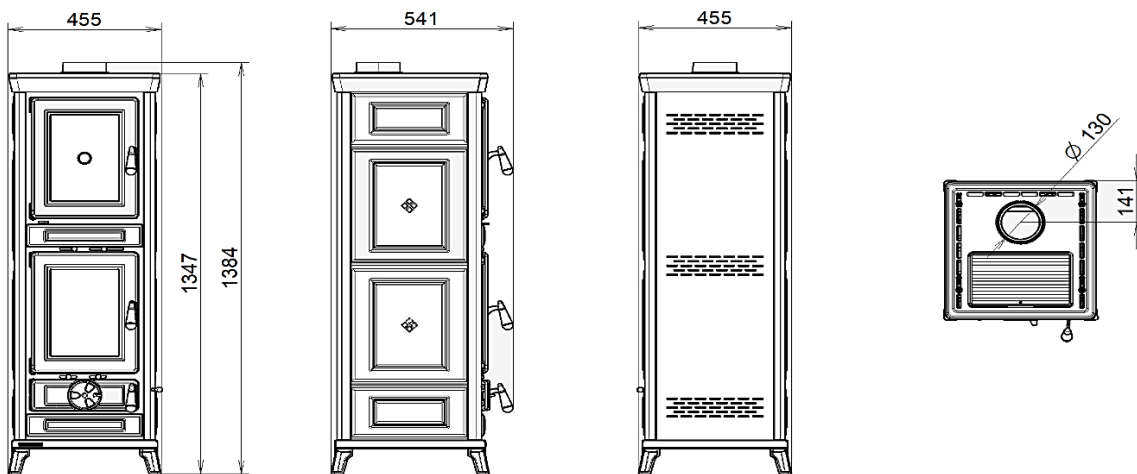
\*\*\* It is strictly prohibited to load a greater quantity of fuel than that specified in the table. The warranty will not cover damages caused by the prolonged exposure of the appliance to temperatures that are too high.

## 2.1 DIMENSIONS

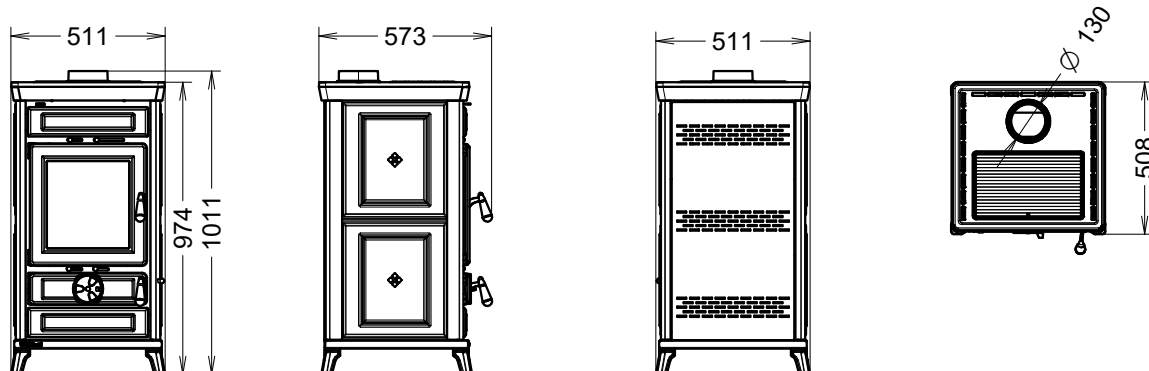
### SOFIA EVO6



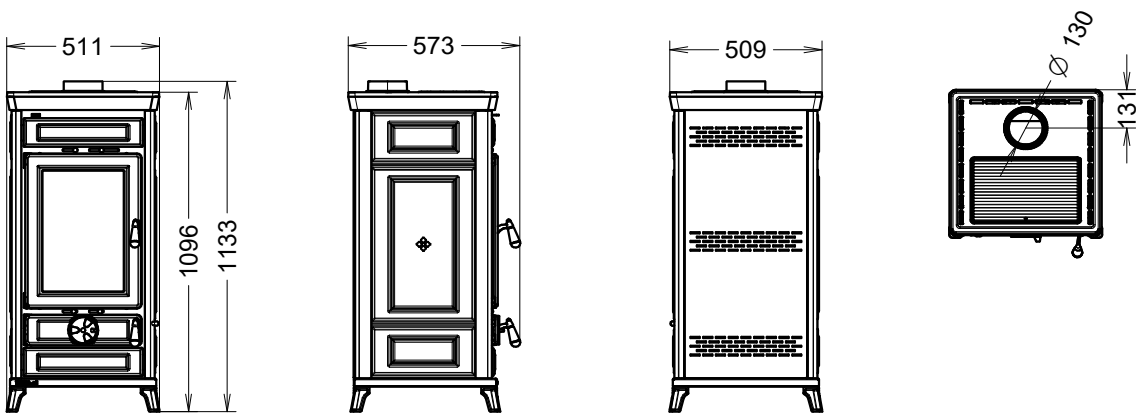
### AGNESE EVO6



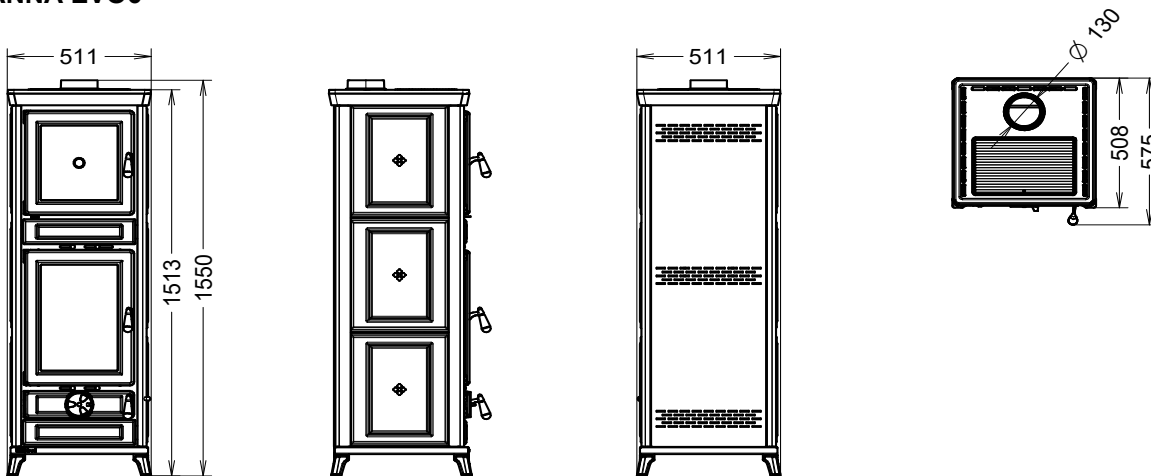
### ILARIA EVO6



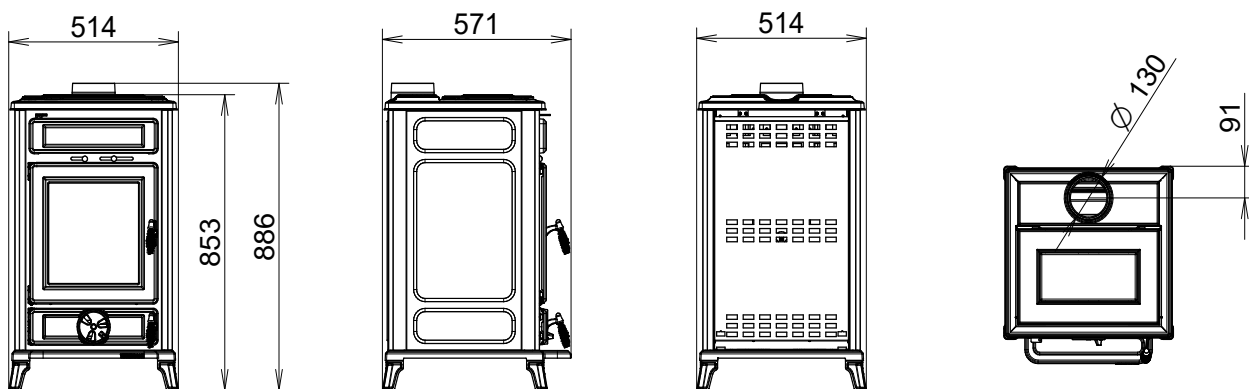
**VITTORIA EVO6**



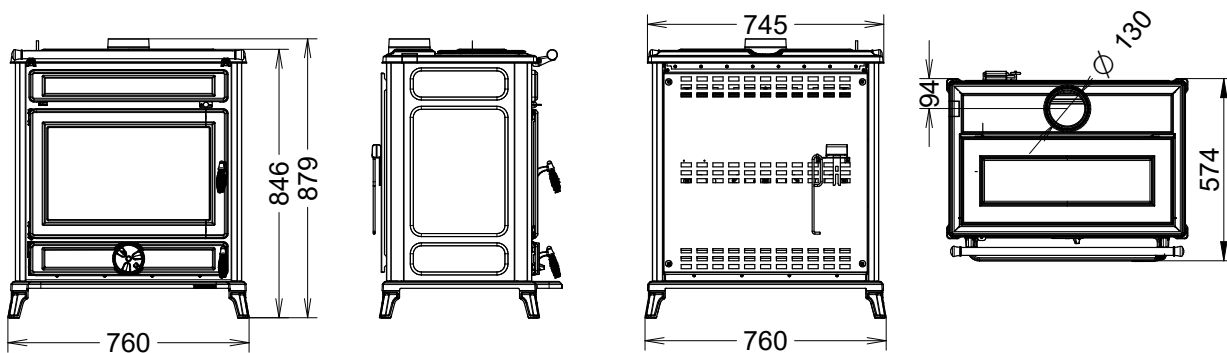
**ANNA EVO6**



**FILÒ EVO6**



**AGORÀ EVO6**



### 3 – GENERAL DESCRIPTION

#### 3.1 THE FUEL

The fuel for this appliance is ordinary wood billets with a moisture content between 10% and 20% and with a thermal value of 10,400 to 16,400 kJ/kg. We recommend using beech or common hornbeam. If using wood with a lower moisture content or with a higher thermal value the heat produced by the stove will be greater.

The awareness and use of the right fuel are important aspects to be observed in order to ensure correct operation and long service life of the appliance. To this end we recommend using only dry, well-seasoned wood. We recommend against using wet wood or wood that has been seasoned for less than 18/20 months, as this could be the cause of malfunctions and the formation of tarry deposits that could permanently blacken the walls of the combustion chamber.

We recommend using logs of max 250 mm long (max recommended section Ø 80 mm) and loading a maximum of 2-3 logs. Into the Agora, it is also possible to load logs of 500 mm long.



**MAXIMUM PERMITTED FUEL FEED:**

- 1,9 Kg for SOFIA EVO6 and AGNESE EVO6
- 3,1 Kg for ILARIA EVO6 and FILO EVO6
- 3,4 Kg for VITTORIA EVO6 and ANNA EVO6
- 3,3 Kg for AGORA EVO6

**THE FUEL FEED INTERVALS MUST NOT BE LESS THAN 1 HR.**

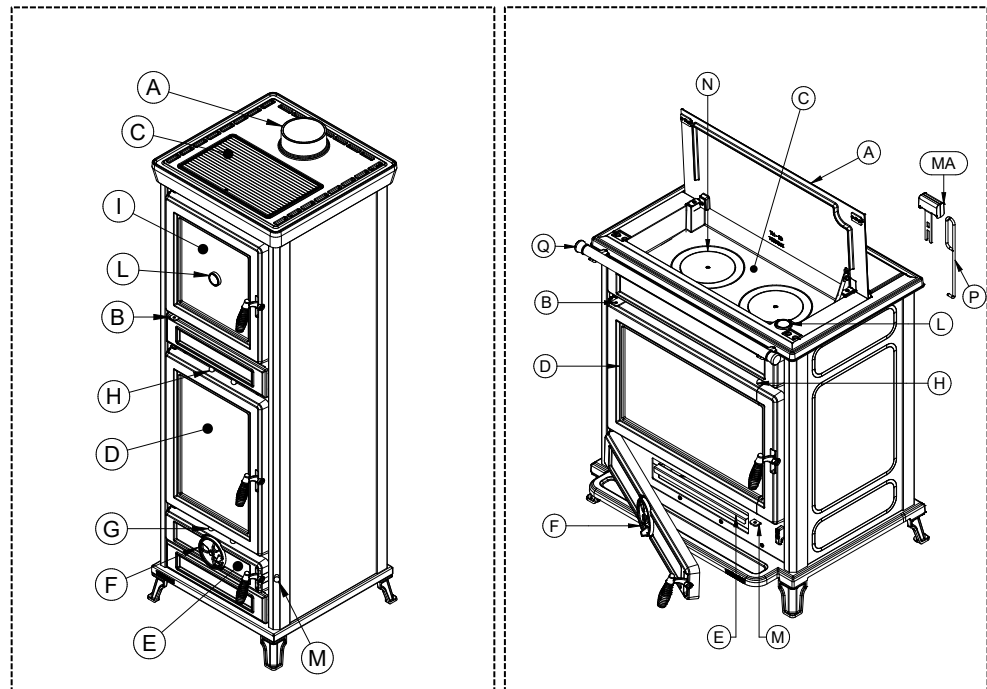


**LOADING A LARGER QUANTITY OF FUEL OR LOADING SEVERAL TIMES IN AN HOUR EXPOSES THE COMPONENTS OF THE APPLIANCE TO VERY HIGH TEMPERATURES. FOR THIS REASON, THE WARRANTY WILL NOT COVER ANY DAMAGE CAUSED BY PROLONGED EXPOSURE OF THE APPLIANCE TO THESE TEMPERATURES.**



**The use of fuel that does not comply with the above specifications or the use of different substances or fuels will immediately void the appliance warranty. The appliance must not be used as an incinerator, and it is prohibited to use any liquid or gas fuel. Do not overload the stove with excessive quantities of fuel; adhere strictly to the maximum declared consumption.**

#### 3.2 MAIN COMPONENTS



A	Smoke exhaust	B	Smoke by-pass
C	Warming plate	D	Firebox door
E	Ash pan	F	Primary air control
G	Secondary combustion air levers	H	Secondary glass cleaning air levers
I	Oven	L	Thermometer
M	Riddling lever	N	Cast iron rings
MA	Warming plate handle	P	Riddling tool
Q	Handrail		

### B – Smoke by-pass

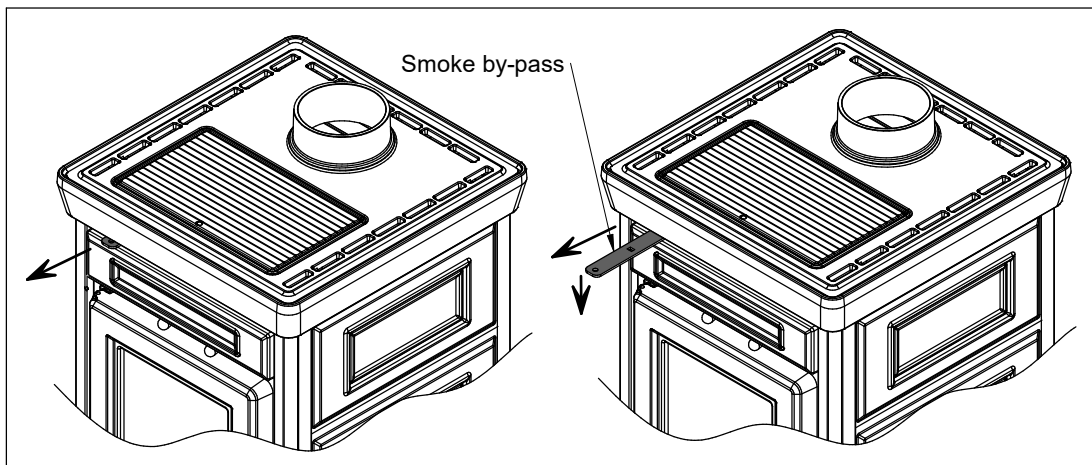
This device creates a direct bypass for the flue gases which facilitates both the lighting and refuelling operations. The riddling tool provided must be used when activating it and only when lighting or stoking the fire.



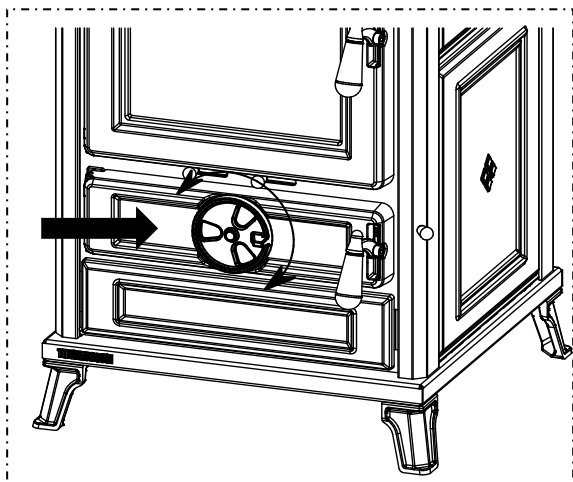
#### IT IS PROHIBITED TO LEAVE THE SMOKE BY-PASS OPEN DURING NORMAL OPERATION.

Leaving the Smoke by-pass open during normal operation results in higher fuel consumption than the declared quantity, a considerable drop in efficiency and exposure of the appliance to extremely high temperatures. For this reason, the warranty does not cover any direct or indirect damages caused by prolonged exposure of the appliance to these temperatures. **ATTENTION: The temperature of the Smoke by-pass is very hot while the appliance is operating, so take care not to touch it. The riddling tool provided must be used when handling it.**

Pulling the lever outwards activates the smoke bypass, whereas pushing it inwards activates the normal flue gas path.



### F – Primary air control

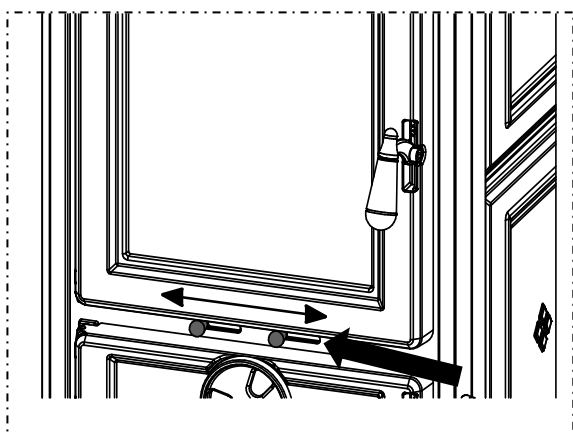


It is used to regulate the primary air inflow. The primary air passes through the grate of the firebox and fuels the combustion to determine its power and speed. Rotate the control counterclockwise to reduce the air inflow. On the contrary, rotate the control clockwise to increase the air inflow.



**ATTENTION:** when the appliance is operating the temperature of the primary air control is very high, so take care not to touch it. The glove provided must be worn when handling it.

### G – Secondary combustion air levers



Controls the secondary air inflow which preheats as it passes through the holes in the back of the combustion chamber and facilitates triggering the second combustion. Shift one of the two levers to the left to reduce the air inflow. Whereas to increase the inflow air shift it to the right.



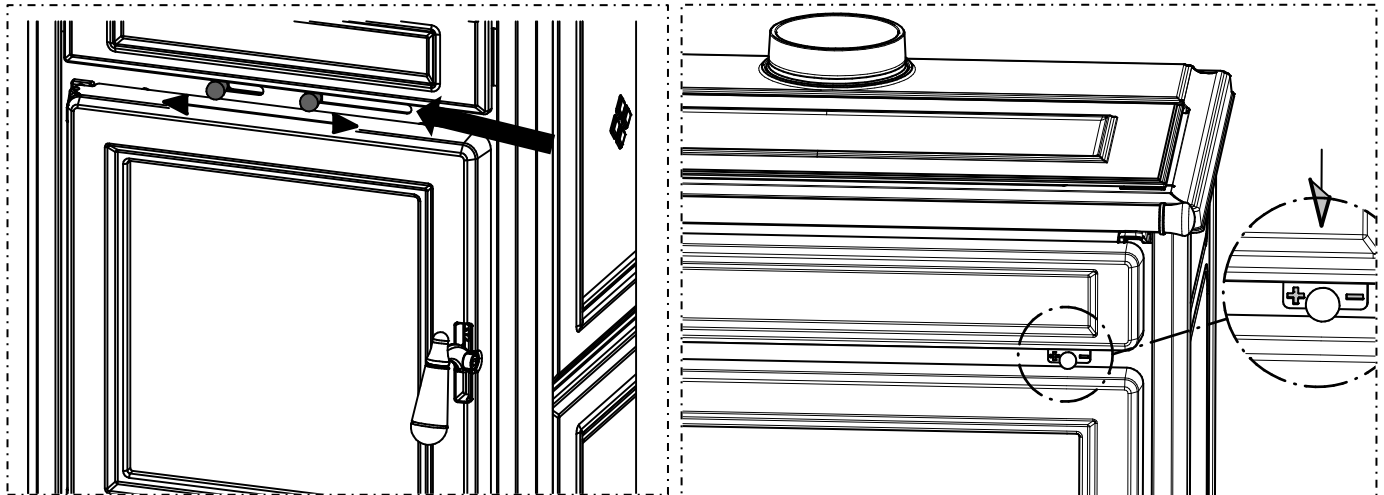
**ATTENTION:** the temperature of the secondary air levers is very hot while the appliance is operating, so take care not to touch them. The glove provided must be worn when handling them.

## H – Secondary glass cleaning air levers

Control the secondary air inflow which has the function of keeping the glass clean as it flows across it. Shift one of the two levers to the left to increase the air inflow. Whereas to reduce the inflow air shift it to the right.



**ATTENTION: the temperature of the secondary air levers is very hot while the appliance is operating, so take care not to touch them. The glove provided must be worn when handling them.**



## 4 – INSTALLATION

### 4.1 APPLIANCE LOCATION



Follow the general guidelines set out in paragraph 1.1 to the letter. Be aware that the flooring of the installation site must be capable of withstanding the weight of the appliance. If this requirement is not met, it is obligatory to adopt counter measures (for example, load distribution plate ...).



**ATTENTION:** the room where the appliance is installed must be well-ventilated and free from humidity and salty air. A high level of humidity or saltiness in the room can lead to the onset of rust or corrosion which will not be covered by warranty. The appliance must be positioned at a minimum safe distance from walls and furnishings. If inflammable materials are located in the vicinity of the appliance (e.g.: matchboarding, furniture, curtains, pictures and paintings, sofas) the minimum distances indicated in the technical specifications table must be observed.



If the flooring is made of wood or any other combustible material, it is mandatory to install a fireproof floor protector plate between the appliance and the floor. Installation in the vicinity of heat-sensitive materials is only permitted if suitable insulating and fireproof protection is placed between the object and the appliance (ref. Uni 10683). Failure to observe this instruction will immediately invalidate the warranty.

The installer must issue a certificate of conformity for the installation which includes the design plans and the following documents:

- Report containing the type of materials utilised.
- Project as defined in Article 5 of Ministerial Decree n° 37 22 January 2008.
- References to existing partial or previous declarations of conformity (e.g., flue outlet).
- Copy of the certificate of recognition of the professional technical qualifications.



These documents must, by law, be kept together with the installation, use and maintenance manual. The customer is responsible for verifying, directly or indirectly, that the installation has been carried out to perfection in accordance with relevant regulations in force. Do not install the appliance in unsuitable rooms such as bedrooms, bathrooms, garages and/or lock-ups. It is forbidden to place the appliance in environments with an explosive atmosphere.

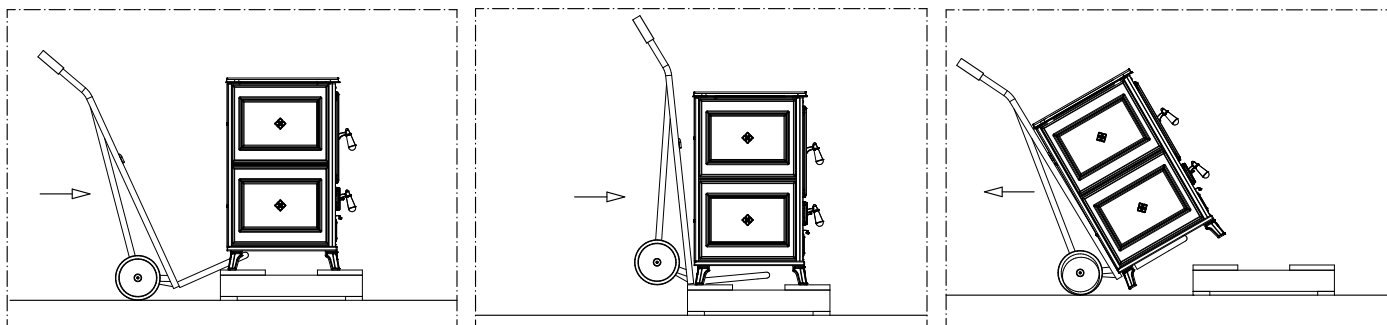


**ATTENTION,** the appliance is not simply a household appliance: if the instructions set out in this manual are not followed and/or if installation of the appliance is not executed perfectly and/or the provisions in force are not strictly complied with, dangerous conditions could arise for both objects and persons. It is the user's responsibility to verify the presence, in the room, of a vent necessary for supplying oxygen to the appliance. It is strictly prohibited to install the appliance as inset or next to furniture.

## 4.2 UNPACKING THE APPLIANCE

The appliance is supplied packaged on a pallet; always use trolleys to move the appliance and the appliance must always be in a vertical position. Before positioning and installing it dismantle the appliance from the pallet as described:

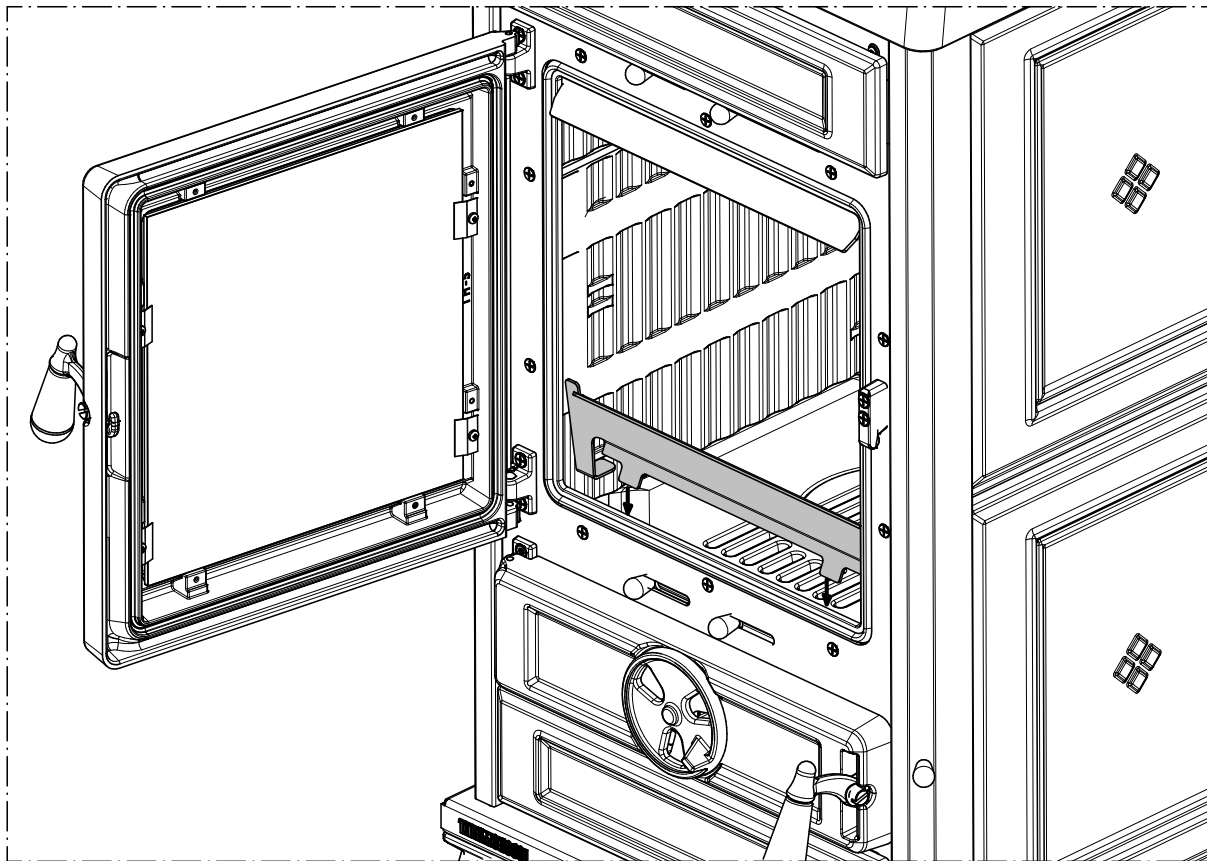
- Remove the cover and side panels from the pallet.
- Remove the appliance from the pallet with the aid of a trolley. Slip the bottom of the trolley under the back part of the appliance and tip the trolley back onto its wheels. Given the weight of the appliance we recommend that this operation be carried out by two people. Take care when lifting the appliance as the centre of gravity of the weight is concentrated at the front.
- Check that all the mobile parts are in place; remove the labels and stickers from the glass.



**IMPORTANT: HANDLE THE APPLIANCE WITH CARE AS DAMAGE CAUSED DURING THE UNPACKING OPERATION WILL NOT BE COVERED BY THE WARRANTY.**

## 4.3 INSTALLATION OF THE FLAME GUARD

To install the flame guard, it must be inserted inside the combustion chamber as shown in the figure below:



## 5 – ASSEMBLING THE CASING

The appliance is supplied with pre-mounted casings.

For the majolica models:



**ATTENTION:** the majolica tiles are handcrafted so they could contain subtle surface imperfections, crazing or shade variations. The layer of glaze has an expansion factor that is different to that of the majolica tiles which is what causes the hairline cracks. This phenomenon is a natural process and is not a defect. We recommend cleaning the majolica tiles with a dry microfibre cloth. Using moist or wet cleaning cloths would show up the natural crazing even more; use only dry, non-abrasive cloths and when the appliance is cold.

For models with metal casing:



**ATTENTION:** we recommend cleaning the metal only with a dry or slightly moist microfibre cloth. Use only non-abrasive cloths on a cold appliance.

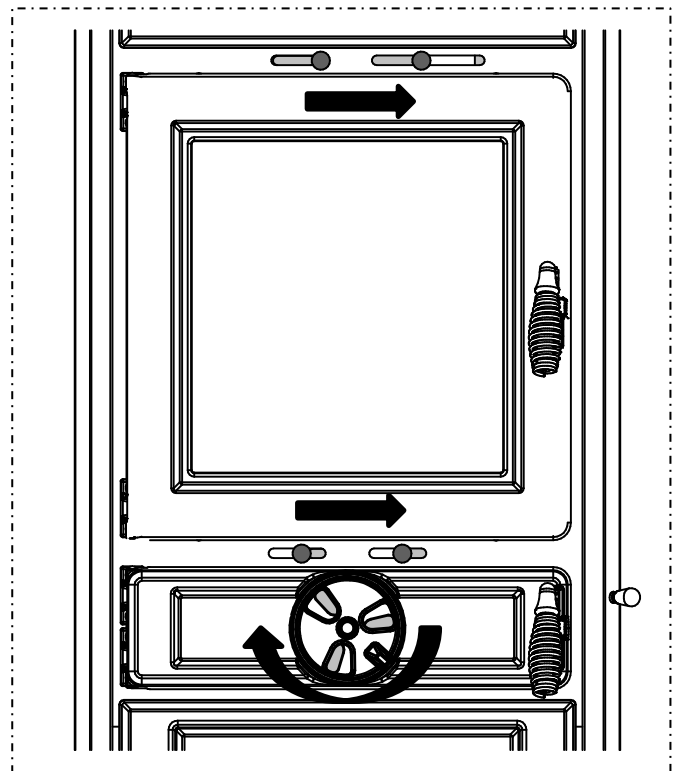
## 6 – USE OF THE APPLIANCE



The appliance, when operating, is hot to the touch, particularly the door of the combustion chamber: consequently, take care not to touch any surface. Your appliance has obtained the CE marking. The product must not be used by children, by persons with physical or mental impairments, by persons who are not familiar with the instructions for use and maintenance of the product (the instructions are found in this installation, use and maintenance manual). During the heating and cooling stages, the appliance is exposed to considerable thermal expansions that can cause light expansion sounds. This is a normal process and is not a defect of the product.



**ATTENTION:** the door must always remain shut tight when the appliance is operating. While the appliance is in operation the smoke exhaust pipes can reach extremely high temperatures: do not touch them! It is strictly forbidden to use any type of liquid or gaseous fuel to light the appliance. Do not place non-heat resistant or inflammable or combustible objects in the vicinity of the appliance: keep them at a suitable distance. Do not place wet clothing to dry on the appliance. When using a clothes horse, keep at a suitable distance.



During the first lighting it is quite normal for the paint on the product to give off a slight smell as it completes its drying process. It is recommended to ventilate the room until the paint has completely dried.

### 6.1 LIGHTING

To startup the stove proceed as follows:

- 1) Activate the Smoke by-pass (refer to paragraph 3.2).
- 2) Turn the primary air control to roughly half way along its stroke (see figure here above).
- 3) Shift the secondary air glass wash levers all the way to the right (see figure here above).
- 4) Move the secondary combustion air levers 1 cm to the right (see figure here above).



**ATTENTION: BEFORE LIGHTING THE APPLIANCE MAKE SURE THAT THE GRATE IN THE FIREBOX IS CLEAN, THAT IS THAT THERE IS NO ASH OR COMBUSTION RESIDUES.**

- 5) Open the firebox door, place some kindling in the firebox and light it with paper or any other tinder available on the market, then close the firebox door (see figure on the right).



**IT IS PROHIBITED TO USE ANY LIQUIDS OR GASES SUCH AS ALCOHOL, PETROL ETC. TO LIGHT OR REKINDLE THE FIRE.**

- 6) Do not leave the appliance unsupervised while the lighting process is still in progress (roughly 30 minutes to complete the process) or whenever there are abundant burning embers present.
- 7) Once the lighting sequence is completed, close the Smoke by-pass using the special riddling tool.



**ATTENTION: THE DOOR OF THE COMBUSTION CHAMBER AND OF THE ASH PAN MUST ONLY BE OPENED FOR THE LIGHTING OPERATIONS, FOR STOKING AND FOR REMOVING RESIDUAL MATERIAL. DURING NORMAL OPERATION THE FIREBOX DOOR MUST REMAIN SECURELY CLOSED AND THE SMOKE BY-PASS DEACTIVATED.**

Leaving the Smoke by-pass open during normal operation results in higher fuel consumption than the declared quantity, a considerable drop in efficiency and exposure of the appliance to extremely high temperatures. For this reason, the warranty does not cover any direct or indirect damages caused by prolonged exposure of the appliance to these temperatures. **ATTENTION: the temperature of the Smoke by-pass is very hot while the appliance is operating, so take care not to touch it. The riddling tool provided must be used when handling it.**

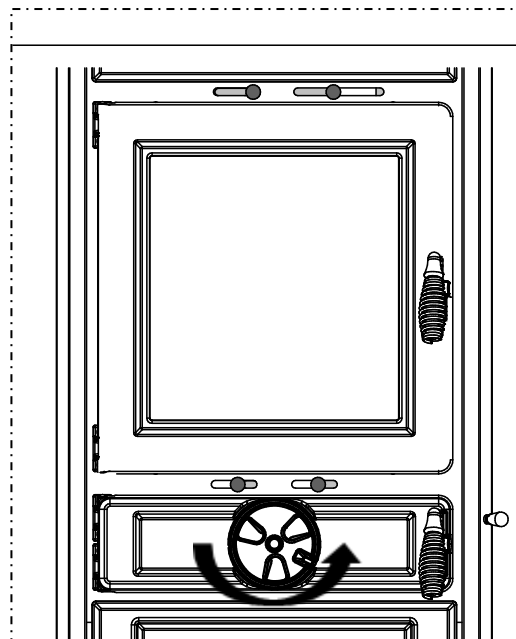
## 6.2 REFUELLING

The stove is an intermittent combustion appliance so it requires refuelling. Once combustion is achieved inside the combustion chamber and consequently there are embers present, proceed with the first fuel feed:

- 1) Smoke by-pass
- 2) Wait a few seconds and open the firebox door slowly to minimise the risk of smoke escaping and use the riddling tool to spread the embers.

**N.B. It is prohibited to light or reload the fuel with a bed of embers higher than 3 cm as this does not guarantee correct use of the appliance.**

- 3) Take two logs, each of which must not exceed the weight specified in the technical data table, and lay them parallel in the centre of the grate in the combustion chamber, as illustrated in the figures below.
- 4) Slowly close the firebox door and deactivate the Smoke by-pass using the special riddling tool.
- 5) Rotate the primary air control counterclockwise almost to the end, leaving the slots roughly just one millimetre open (see figure on the side).
- 6) To rekindle the fire clear the ash from the air passage slots to promote better combustion. Do not add additional fuel until the previous load has burnt or is reduced to embers, then open the firebox door slowly and place the logs in an orderly manner on the bed of embers. Complete the operation by slowly closing the door.





### 6.3 THERMOMETER

In some models there is a thermometer that indicates the temperature of the oven or the warming plate.

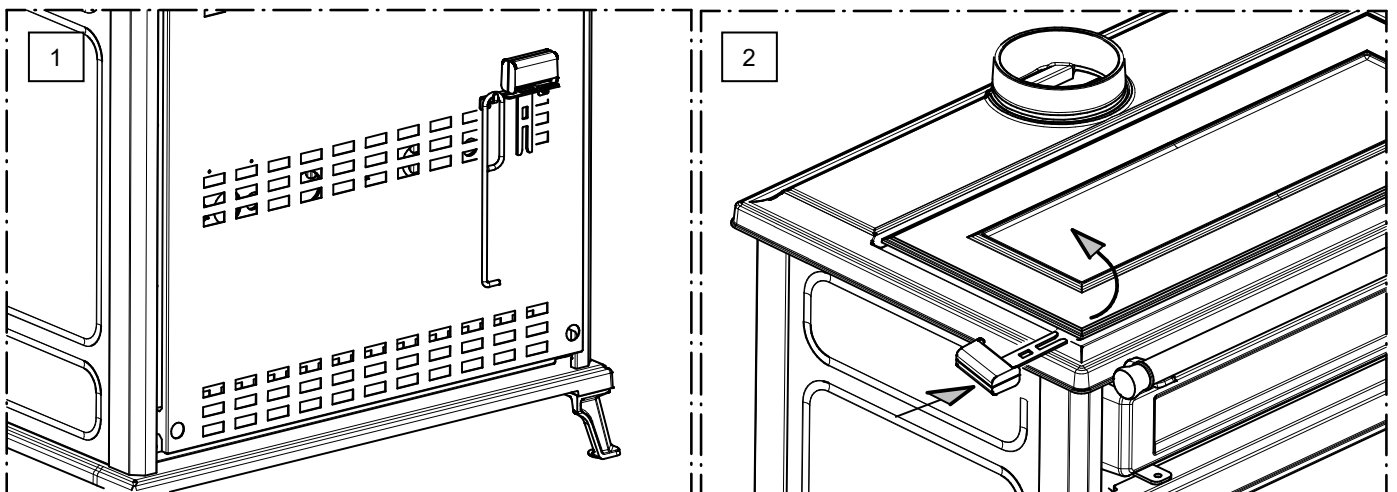


**THE THERMOMETER GIVES AN APPROXIMATE, NOT PERFECTLY RELIABLE, READING OF THE TEMPERATURE. THE TEMPERATURE IS STRICTLY RELATED TO THE QUALITY OF THE FUEL, THE FLUE OUTLET DRAUGHT AND OTHER FACTORS, AND MAY EXPERIENCE SUDDEN VARIATIONS. THEREFORE, ALWAYS VISUALLY CHECK THE FOOD FOR DONENESS.**

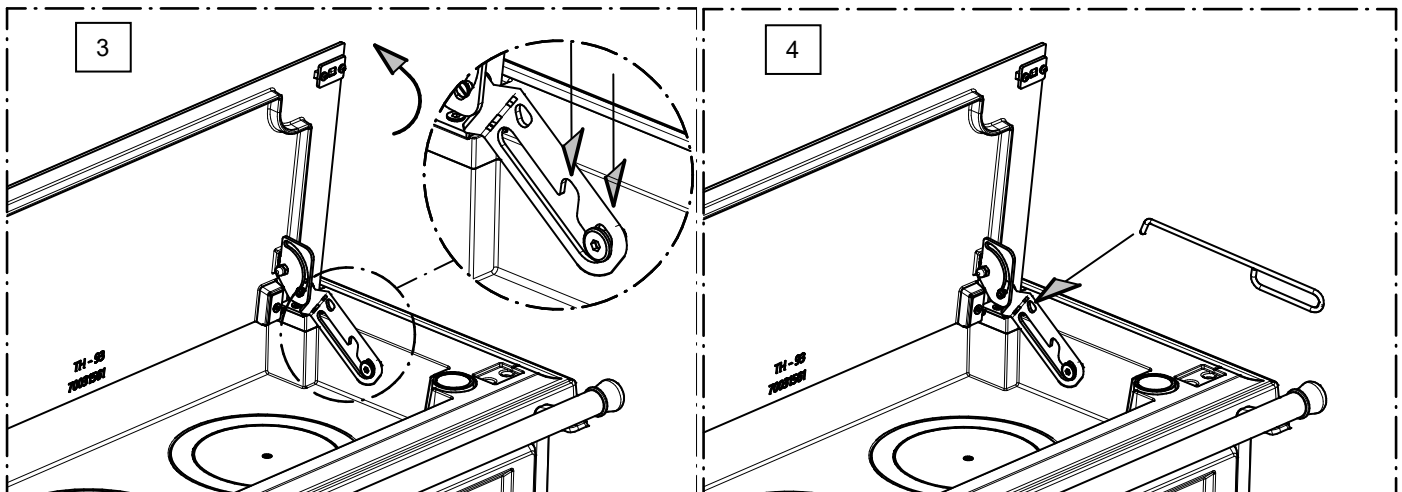
### 6.4 OPENING OF THE WARMING SHELF (SCRIGNO)

The Filò and Agorà models feature a concealed warming shelf. To open the shelf, follow the instructions below:

- 1) Remove the handle from the back of the stove, using the glove provided (see figure 1). It must always be used through the supplied glove.
- 2) Using the protective glove, insert the handle into the indicated seat on the left or right side of the cover and lift it up until it locks (see figure 2).



- 3) The cover can be opened and locked in two different positions by means of the latch at the two locking points (see figure 3).
- 4) To close the warming plate again, lift it as far as it will go, so that the rod passes the locking points, and gently guide it downwards (see figure 4).

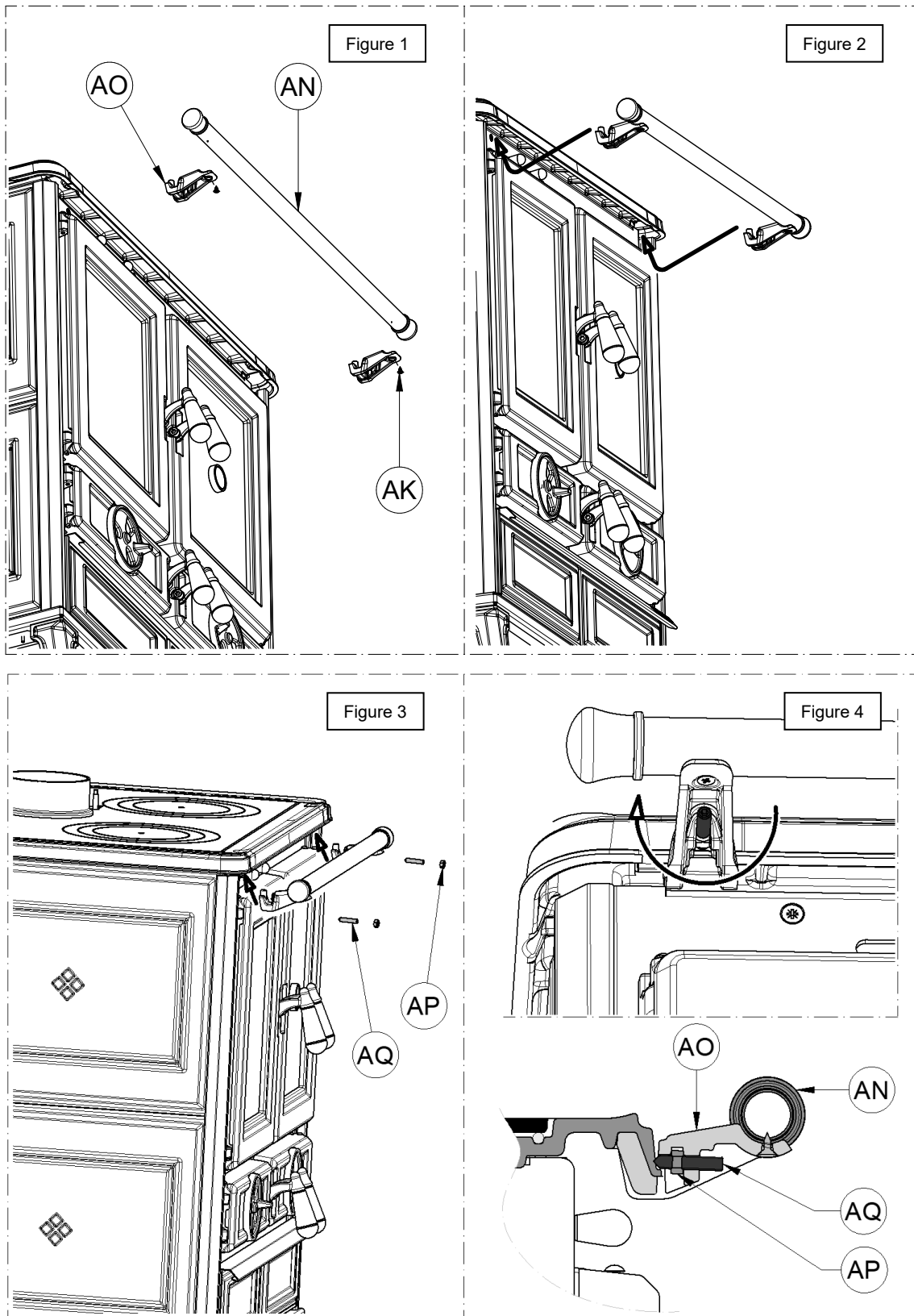


**ATTENTION:** the temperature of the handle, lid, riddling tool, and locking lever, during operation is very high, so be careful not to touch them. They should only be operated using the glove provided.

### 6.5 FRONT HANDRAIL ASSEMBLY (ONLY ON FILÒ AND AGORÀ)

To fit the front handrail, follow the procedure below:

- 1) Secure the two brackets (AO) to the handrail (AN) using the two screws (AK), as shown in Figure 1.
- 2) Insert the handrail supports under the edge of the cooking top, as shown in Figure 2.
- 3) Screw the 2 nuts (AP) into the screws (AQ), as shown in Figure 3.
- 4) Insert the screws with nuts (AQ+AP) into the handrail supports and tighten until the handrail is securely fastened to the appliance (see Figure 4).

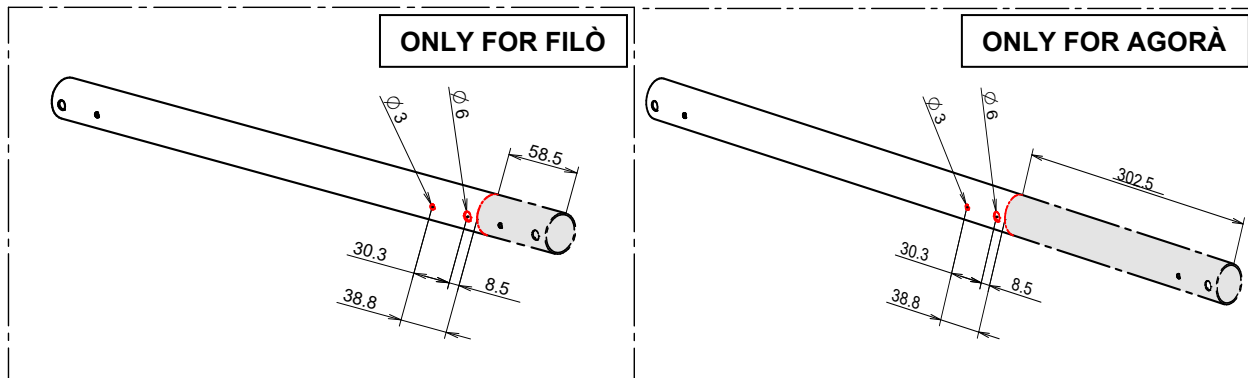


## 6.6 SIDE HANDRAIL ASSEMBLY (ONLY ON FILÒ AND AGORÀ)

If you do not wish to install the handrail at the front, it can be installed laterally, after shortening the handrail supplied. In this case, the dimensions shown in the following figures must be observed.



This operation must only be carried out by professionally qualified personnel, certified in accordance with decree n° 37 of 22 January 2008 and relevant regulations.



## 6.7 PRESCRIPTIONS FOR CORRECT OPERATION

- Respect the maximum declared consumption, do not over-load the stove with excessive quantities of fuel as this could cause damage.



### MAXIMUM PERMITTED FUEL FEED:

- 1,9 Kg for SOFIA EVO6 and AGNESE EVO6
- 3,1 Kg for ILARIA EVO6 and FILÒ EVO6
- 3,4 Kg for VITTORIA EVO6 and ANNA EVO6
- 3,3 Kg for AGORÀ EVO6

**THE FUEL FEED INTERVALS MUST NOT BE LESS THAN 1 HR.**



**LOADING A LARGER QUANTITY OF FUEL OR LOADING SEVERAL TIMES IN AN HOUR EXPOSES THE COMPONENTS OF THE APPLIANCE TO VERY HIGH TEMPERATURES. FOR THIS REASON, THE WARRANTY WILL NOT COVER ANY DAMAGE CAUSED BY PROLONGED EXPOSURE OF THE APPLIANCE TO THESE TEMPERATURES.**



**DO NOT THROW THE WOOD INTO THE COMBUSTION CHAMBER, PLACE IT IN GENTLY. THROWING THE WOOD COULD END UP BREAKING PARTS. DAMAGE CAUSED IN THIS WAY IS NOT COVERED BY WARRANTY.**

- The appliance must not be used as an incinerator, the use of liquid or gaseous fuels is prohibited.
- Adhere strictly to the operating instructions set out in this manual.
- Always verify that the fuel loaded into the combustion chamber lights correctly. Make sure that this always occurs to avoid any buildup of combustible gases. The buildup of a high quantity of combustible gases could exceed the mechanical resistance of the glass and other components of the stove. For this reason, the manufacturer disclaims all responsibility.
- In adverse weather conditions, such as for example low pressure, windy or rainy days or days with high outside temperatures, the effect could be a drop in draught or reverse draught. In these situations, the flue gases may not be completely exhausted. Consequently, in these cases it is necessary to increase the primary air and load the smallest amount of fuel in order to reactivate the draught of the flue outlet. If you notice the smell of smoke in the room or stagnation of gases inside the combustion chamber avoid using the appliance.

## 7 – CLEANING AND MAINTENANCE

### 7.1 FOREWORD



To guarantee correct operation and optimal performance of the appliance at all times carry out the operations described below. Observe the recommended frequency.

If the product is unused for a prolonged period of time before starting up it is mandatory to inspect the smoke channel and outlet to ensure that there are no obstructions. It is important to carefully follow the instructions set out below: failure to observe these instructions could cause serious damage to the product, to the system, to objects and to persons using the appliance.



Attention: do not wet or touch the appliance with wet hands. Never vacuum hot ash: this could damage the vacuum device. All the cleaning operations described in this manual must be carried out when the appliance is cold.

**The user must periodically clean the appliance, or have an authorised service centre clean it, as described in this manual. Moreover, once a year it is advisable to have an inspection carried out of the functionality of the flue outlet.**

### 7.2 CLEANING AND MAINTENANCE

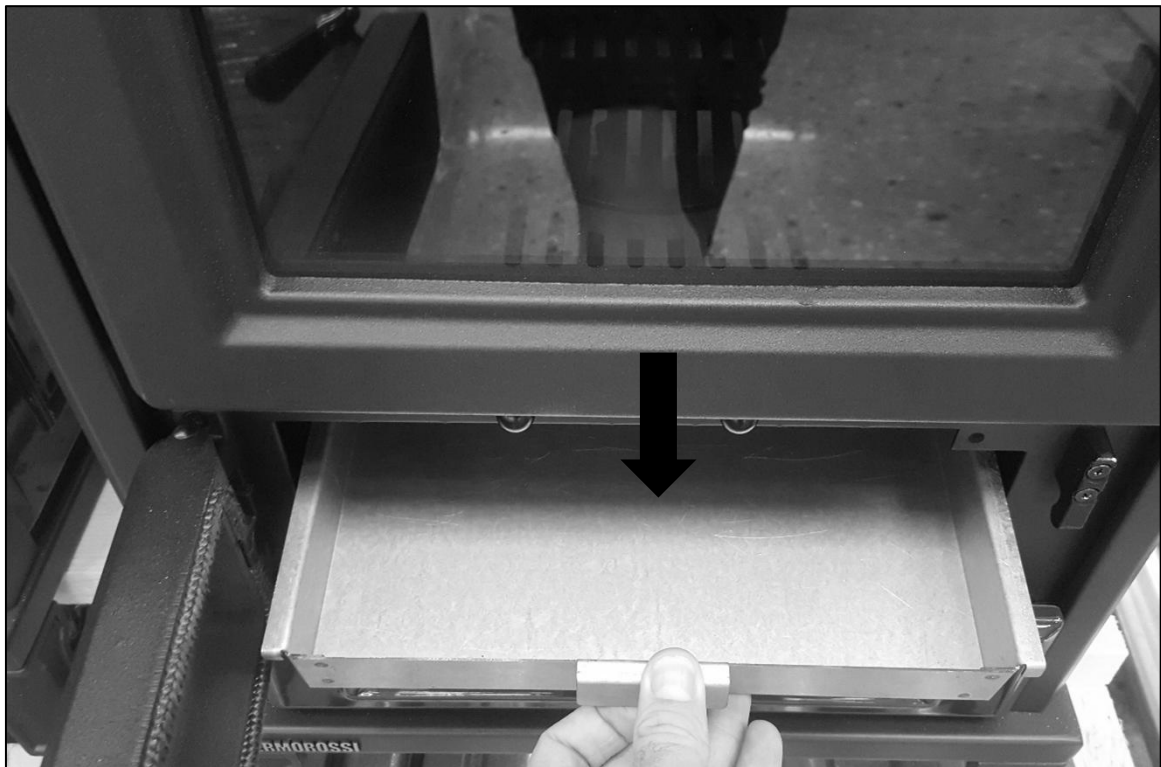
#### EVERY TIME YOU REFUEL:

- Agitate the riddling lever back and forth several times so that the ash drops through the slots in the grate. If necessary, thoroughly clean the grate of the combustion chamber by de-ashing the grate through the slots. The air passage through the firebox grate must always be kept free from obstructions. Use the supplied riddling tool for this operation.



**EVERY TWO DAYS or WHENEVER NECESSARY:**

- Empty the ash pan. We recommend emptying the ash pan regularly before it fills up completely.



**EVERY WEEK:**

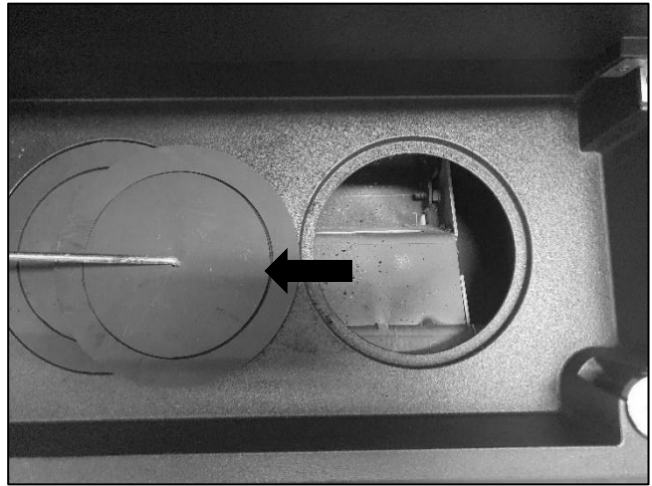
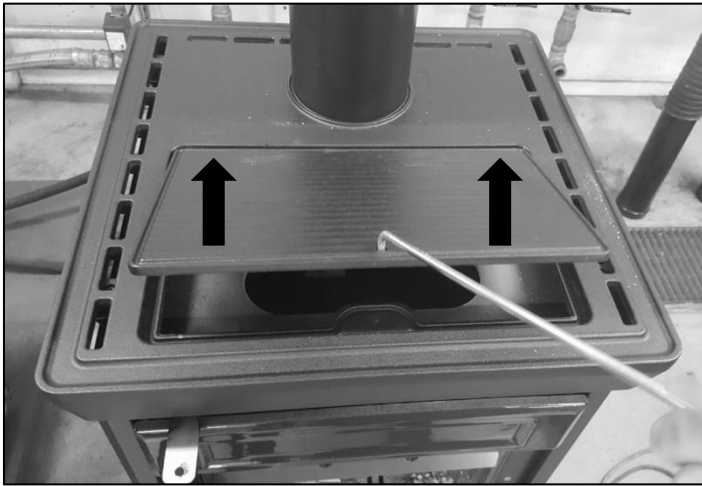
- Use an ash vacuum device to clean the combustion chamber.

**EVERY 6 MONTHS:**

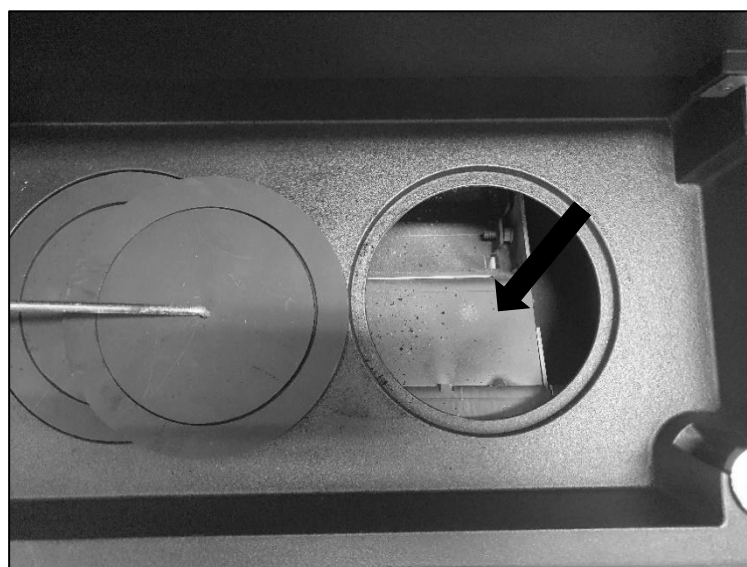
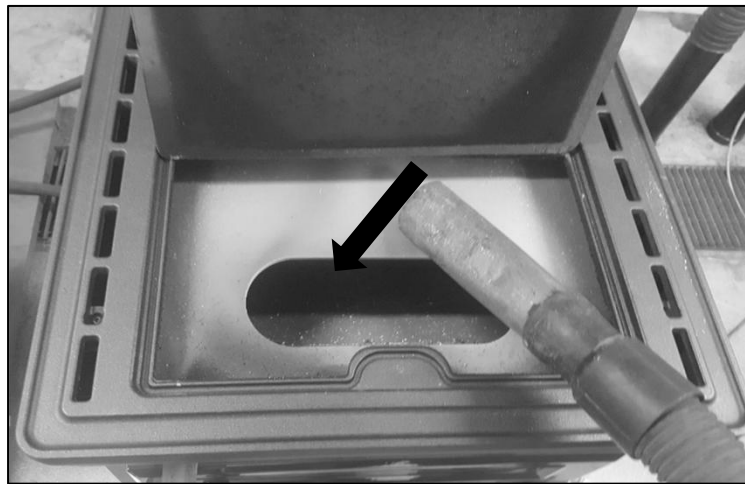
- Activate the Smoke by-pass and clean the flue gas path with a flue brush as illustrated in the following photo:



- Lift the warming plate with the supplied riddling tool.



- Thoroughly clean the smoke circuit with an ash vacuum cleaner.



#### AT LEAST ONCE A YEAR:

- Clean the flue outlet. If there are any horizontal sections, inspect them and clean out any ash and soot deposits before they block the passage of the flue gases.

### 7.3 CLEANING THE CAST IRON AND GLASS

All the glass and cast-iron parts must only be cleaned when the appliance has cooled down completely with dry, non-abrasive cloths and non-aggressive detergents.

## 8 – SMOKE EXHAUST TUBE

### 8.1 FOREWORD



Due to the frequent accidents caused by poor functioning of flue outlets installed in private dwellings, we have prepared the following paragraph to assist the installer in his inspection of the parts concerned with eliminating the gases produced by combustion.



The exhaust pipe must be installed in compliance with regulations UNI7129, UNI 10683, and with the stated reference values. In particular, the outlet must comply with fire prevention regulations.

**It is important to carefully follow the instructions set out below: failure to observe these instructions could cause serious damage to the product, to the system, to objects and to persons using the appliance.**

### 8.2 ROOM VENTILATION



ATTENTION: the presence of extraction fans or similar appliances, if operating in the same room or space in which the product is installed, could cause problems for the correct operation of the product.  
ATTENTION: do not obstruct the vents or the air inlets on the appliance.

The room where the appliance is installed must have a good air inflow to guarantee air for the appliance for the combustion process and for ventilation of the room. The natural air inflow must take place directly through permanent openings on the outer walls or through single or multiple ventilation ducting.

The ventilation air intake must be located away from pollution sources.

The openings in the walls must comply with the following conditions:

- have an unobstructed section of at least 6cm<sup>2</sup> for each Kw of installed thermal power, with a minimum limit of 100cm<sup>2</sup>;
- be made in such a way that the vent openings, both on the inside and outside of the wall, cannot be obstructed;
- be protected with grills or similar systems that do not reduce the opening section indicated above;
- be situated at a height near floor level and they must not obstruct the correct operation of the combustion product discharge devices; if this position is not possible the section of the ventilation openings must be enlarged by at least 50%.



The following chapter is not intended to replace UNI 7129, UNI 10683 and EN 13240 standards. The qualified installer must in any case be fully aware of this standard and its amending versions.

### 8.3 SMOKE OUTLET



The smoke channel, the exhaust pipe, chimney and flue outlet (defined as the system for the evacuation of combustion products), are parts of the heating system and they must comply with the legislative requirements of the Ministerial Decree D.M. 37/08 (ex Italian Law 46/90) and to the applicable specific installation regulations, according to the type of fuel.



Fireplaces, stoves and barbecues must not be installed in locations where gas appliances type A and type B are present and operating (for the classification see UNI 10642 and UNI 7129). The connection between the appliance and the flue outlet must only receive exhaust from one heat generator.



The installer must provide one or more access points on the flue outlet to check the emissions once the appliance has been installed; these access points must be made in such a way as to be air-tight sealable to prevent exhaust gas leaks.

It is recommended to provide insulation and to ensure the optimal sizing of the flue outlet in order to avoid the possible risk of condensation forming in the flue outlet.

#### 8.3.1 CHIMNEY TYPES

The following types of chimneys, constructed as described, are possible:

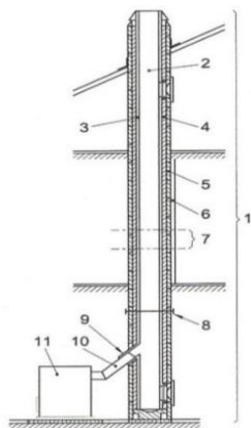
- System: chimney installed using a combination of compatible components (flue liner, insulation, outer casing, etc...), manufactured or specified by a single manufacturer and EC certified in accordance with the applicable standard;
- Composite chimney: chimney installed and built on site using a combination of compatible components such as flue liner (wall in direct contact with the flue gases), possibly also insulation and outer casing (wall) that may be supplied by different manufacturers or by the same manufacturer;
- Relining: operation involving the installation of a specific pipe in an existing shaft (even if newly constructed) made of non-combustible materials, free from obstructions and for single use.

### 8.3.2 FLUE OUTLET / FLUE SYSTEM COMPONENTS

Components and accessories of a chimney

**Key**

- 1 Chimney
- 2 Flow path
- 3 Smoke discharge tube
- 4 Thermal insulation
- 5 External wall
- 6 Outer lining
- 7 Flue outlet section
- 8 Multiwall chimney
- 9 Connector
- 10 Flue pipe
- 11 Heat generator

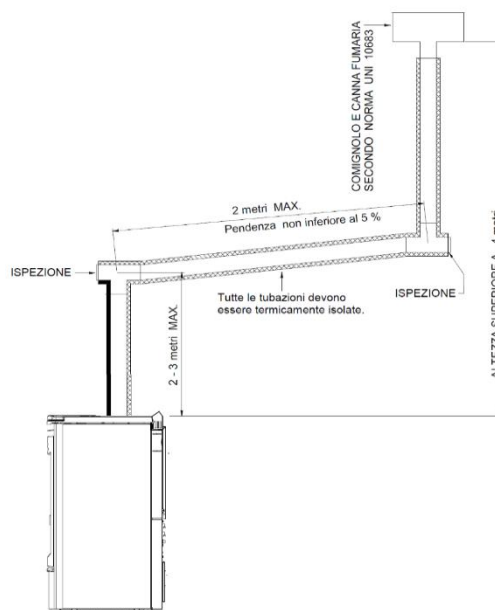


Every chimney must have minimum number of components as laid down by standard UNI EN 1443 which are also indicated in the figure on the side.



**ATTENTION:** Wall outlets, that is outlets installed on the outer front wall without the use of a chimney/flue outlet /flue pipe to convey the combustion products to the roof, are strictly prohibited.

LEGENDA	KEY
COMIGNOLO E CANNA FUMARIA SECONDO NORMA UNI 10683	CHIMNEY CAP AND FLUE OUTLET ACCORDING TO UNI 10683 STANDARD
Tutte le tubazioni devono essere termicamente isolate	All the pipes must be thermally insulated
ISPEZIONE	INSPECTION
ALTEZZA SUPERIORE A 4 metri	HEIGHT MORE THAN 4 m.
Pendenza non inferiore al 5%	Minimum slope 5%
2 metri MAX	2 metres MAX
2-3 metri MAX	2-3 metres MAX.



### 8.3.3 CONTROLS PRIOR TO INSTALLING THE APPLIANCE

The user must possess a certificate of conformance for the flue outlet (Ministerial Decree 22 January 2008, no. 37).

The flue outlet must be built in compliance with UNI 10683.

The smoke exhaust illustrated in the figure on the side is the best solution required to ensure that the flue gases are discharged. If you prefer to exhaust the smoke from the roof insert a union tee with inspection cap, connecting brackets suitable for the height of the flue outlet, flashing that crosses the roof and chimney cap to protect against bad weather conditions.

If you decide to use the classic masonry exhaust provide a union tee with inspection cap and suitable supporting brackets. If the flue outlet is too big it is necessary to insert a stainless steel or porcelain-coated steel tube with suitable diameter.

Seal area where the inlet and outlet part of the smoke exhaust meets the wall. It is strictly forbidden to apply mesh to the end of the outlet tube, as it could cause the appliance to malfunction.

If the smoke tube is installed in a fixed position, it is advisable to provide inspection openings for clean-out purposes especially in the horizontal sections.

See the diagram. These openings are essential to allow for the removal of ash and unburned products which tend to accumulate along the discharge path. Seal the fittings with red silicone (resistant to 350°C).

The outer casing of the tube must be made with insulating material (mineral wool, ceramic fiber) or use pre-insulated tubing.

THE FLUE OUTLET MUST BE USED ONLY FOR THE APPLIANCE.

It must be possible to inspect and remove all the smoke tube sections for clean-out purposes.



**ATTENTION:** if the flue outlet is not sufficiently insulated and /or if it is too long it could generate condensation. It is advisable to provide a condensation drain near the smoke outlet of the appliance. The appliance must always and only be installed in a single flue outlet system dedicated exclusively to the appliance.

If the generator is connected to a non-compliant flue system the appliance could rapidly deteriorate due to an abnormal, continuous overheating: in this case the damaged parts will not be covered by warranty.

**IF THE CHIMNEY CATCHES FIRE, CLOSE THE PRIMARY AND SECONDARY AIR LEVERS IMMEDIATELY AND CALL THE FIRE BRIGADE.**

## 9 – PROBLEMS, CAUSES AND SOLUTIONS

PROBLEM	CAUSE	SOLUTION
Difficulty in lighting the cooker.	Blocked grate.	Clean the grate.
	Moist wood or too thick.	Use smaller sized and more seasoned wood.
	Poor draught.	Clean the ash pan. Remove the warming plate and thoroughly clean the flue gas path and the flue outlet Check the flue pipe: <ul style="list-style-type: none"> <li>• for constrictions</li> <li>• too many curves</li> <li>• bad insulation</li> <li>• section too small</li> </ul>
Smoke in the room.  Difficulty maintaining the fire.  The oven is not heating properly.  Flame insensitive to draft variations.  Puffs while operating.	Poor draught.	Clean the ash pan and all the inspection drawers. Remove the warming plate and thoroughly clean the flue gas path. Clean (or have someone clean) the flue. Check the flue pipe: <ul style="list-style-type: none"> <li>• for constrictions</li> <li>• too many curves</li> <li>• bad insulation</li> <li>• section too small</li> </ul>
	No air in the room.	Create an adequate opening for the air.
	Moist wood or too thick.	Use smaller sized and more seasoned wood.
The fuel is burning too quickly, uncontrolled combustion.	Excessive draught.	Reduce draught of the flue outlet by installing a suitable device (e.g., draught regulator).
The oven thermometers have drifted or yellowed.	Excessive consumption of wood, more than the amount indicated in this manual.	Contact a service centre to restore the appliance for a fee then use the appliance as instructed in this manual and comply with all the supplied instructions.
The handles have warped.	Incorrect use of the appliance.	
Broken components inside the combustion chamber.	No or poor cleaning of the appliance.	

**IF THE RECOMMENDED REMEDIES DO NOT SOLVE THE PROBLEM, CONTACT A QUALIFIED TECHNICAL ASSISTANCE SERVICE.**

## 10 – CONDITIONS OF WARRANTY

### POINT 1A

Every Thermorossi product is delivered with this warranty certificate. This warranty is to be considered a **conventional guarantee** as defined in art. 133 of Italian Legislative Decree no. 206 dated 6 September 2005 (so-called Consumer Code). This warranty does not in any way affect the rights expressly granted to the consumer concerning the sale of consumer goods as set forth in Italian Legislative Decree no. 206/2005. The consumer is therefore always entitled to exercise these rights with the seller, under the terms and conditions established by the aforementioned legislative decree and by this conventional guarantee.

This warranty is valid only in the case where the product is purchased for domestic uses (i.e. the subject is a consumer as defined in art. 3 paragraph 1, point A of Italian legislative decree 206/2005) and, in any case, not for business or professional purposes. Barring the cases provided for by law, it is the responsibility of the purchaser to demonstrate any product defects and should such product be found to be fully functional, the warranty will be considered inapplicable. The warranty is valid only if the product is installed, used and serviced in accordance with all the instructions provided in the use, maintenance and installation guide delivered with the product.

#### **This warranty certificate is valid solely for the parts mentioned herein.**

The warranty is valid for 24 months for the product, excluding the components expressly indicated in point 1C herein. Thermorossi is therefore not responsible for demonstrating the full functionality of the system to which the product is connected, which remains the customer's responsibility. The warranty is subject to the limits and exclusions specified in this warranty certificate and exclusively under the conditions stated herein. In any case, for a warranty claim to be taken into consideration, the customer must report the non-conformity to the seller in writing no later than two months from the date of its identification. The warranty is null and void if this deadline is not respected. The purchaser is responsible for demonstrating that this warranty is valid; this can be done by presenting a delivery document issued by the seller or another document (receipt, till receipt or similar...) indicating the name of the seller, the product identification details (e.g. model code) and the date of the sale or delivery date if later.

Therefore, for the warranty to be valid, the above documentation must be kept by the consumer and shown when the product is being inspected/repaired. This warranty is valid solely under the following conditions:

- all product installation or connection operations are carried out by personnel qualified in accordance with law, who must issue an appropriate declaration of conformity attesting that the work has been carried out according to best practices and scrupulously following the instructions provided in the use, maintenance and installation guide delivered with the product and the regulations regarding systems and safety.
- all operations involving the use of the product, as well as periodic maintenance, must be carried out according to the instructions and indications provided in the use, maintenance and installation guide delivered with the product.
- all repairs to the product must be carried out by personnel of Thermorossi S.p.A. authorised service centres;
- only original Thermorossi spare parts, accessories and consumables must be used.

The warranty (if present) on the **vitrified body** lasts **8 years** from the invoice date.

The warranty (if present) on the **standard wet body** lasts **4 years** from the invoice date.

Both the warranty on the vitrified body and that on the standard wet body, if present, only cover the internal surface of the combustion chamber in contact with combustion gases, notwithstanding the limits and exclusions listed in this warranty certificate and exclusively in the conditions hereby reported. It shall not apply if the product was not installed by a qualified technician who has verified that all characteristics of the system are suitable. Such characteristics must comply with the legislation on safety and systems. It shall not apply if the product is connected to a system that may cause corrosion, deposits or breakage due to stray currents, condensation, water aggressiveness or acidity, improper descaling treatments, lack of water, sludge or limescale deposits. Failing to connect the system circulating pump to the specific terminal block in the generator causes the warranty to be immediately declared null and void. The system must necessarily guarantee a return water temperature exceeding 55°C.

### POINT 1B

Components damaged by causes and/or events external to the product are excluded from this warranty.

The warranty does not apply to damage caused by: excessive or insufficient flue outlet draught, lack of maintenance, failure to clean the product, atmospheric and chemical agents, corrosion of any type and/or nature, fuel overloads, fire, cleaning, tampering with the product, parts damaged due to overheating caused by a lack of maintenance or excess fuel load.

### POINT 1C

The following components are excluded from the warranty: door ceramic glass, majolica tile parts, refractory materials, painted or galvanised parts, enamelled parts, gaskets, knobs, handles, thermometers and consumables in general. Warranty replacement does not imply any resetting of the conventional guarantee or its extension. Colour variations on the majolica tiles and the presence of crazing or spotting are not a reason for claims because they are natural characteristics of the materials themselves. Parts found to be defective due to negligence or careless use, damage during transport, incorrect maintenance, or incorrect installation, are not covered by the warranty.

### POINT 2A

The technical assistance centre will take appropriate action as soon as possible in the event of failure of the product to function. In this regard, no compensation shall be due for damage or problems following forced inactivity of the product. Repairs or replacements carried out under this conventional guarantee do not imply any resetting of the conventional guarantee or its extension. Thermorossi will repair the product if possible and this is not too costly for the company. The product will only be replaced if it is objectively impossible to repair it and its replacement is not too costly. The product will not be replaced if external factors have caused evident malfunctions. For the purposes of this conventional guarantee, replacement of the product shall be considered too costly if it entails unreasonable expenses compared to its repair, taking into account the estimated value of the product without the defect, the seriousness of the non-conformity and the possibility of repairs being carried out without significantly inconveniencing the consumer. If technical assistance is provided by the personnel of the technical assistance centres at the customer's request, and such assistance is provided outside the warranty (e.g. because the warranty is not valid, because the customer has not sent the warranty certificate in the set times, or because the part is excluded from this warranty), the costs of such assistance will be charged in full to the customer. These costs include:

Call-out fee, the cost of labour and any parts to be replaced. These costs will be of a reasonable amount and the customer can ask the assistance centre for an indication of the amounts in advance. In any case, it should be noted that requests for assistance "under warranty" which, based on the report and analysis carried out by the assistance centre, are the result of tampering, negligence or non-compliant installation, lack of cleaning or in any case not falling within the scope of this conventional guarantee, will entail:

Call-out fee, the cost of labour and any parts to be replaced. These costs will be of a reasonable amount and the customer can ask the assistance centre for an indication of the amounts in advance.

### POINT 2B

Thermorossi S.p.A. declines liability for any damage directly or indirectly caused to persons, animals or property, due to or related to installation that does not comply in full with current regulations and/or installation, use and maintenance that does not comply in full with all the instructions contained in the installation, use and maintenance guide delivered with the product.







**THERMOROSSI**   
*Fire Lovers*

THERMOROSSI S.p.A.  
Via Grumolo, 4 (Z.I.) 36011 Arsiero (VI) - ITALY  
Fax 0445.741657 - [www.thermorossi.com](http://www.thermorossi.com) - [info@thermorossi.it](mailto:info@thermorossi.it)